

SERVICE MANUAL

STEREO AV RECEIVER

- This Service Manual is the “Revision Publishing” and replaces “Simple Manual” AV-D37 (EZ), (S/M Code No. 09-004-428-4T1).

aiwa

S/M Code No. 09-006-428-4R1

REVISION
DATA

SPECIFICATIONS

FM tuner section

Tuning range 87.5 MHz to 108 MHz
Usable sensitivity (IHF) 13.2 dBf
Antenna terminals 75 ohms (unbalanced)

MW tuner section

Tuning range 530 kHz to 1710 kHz (10 kHz step)
 531 kHz to 1602 kHz (9 kHz step)
Usable sensitivity 350 µV/m
Antenna Loop antenna

LW tuner section

Tuning range 144 kHz to 290 kHz
Usable sensitivity 1400 µV/m
Antenna Loop antenna

Amplifier section

Power output **[Stereo Mode]**
Front
 Rated: 100 W + 100 W (8 ohms, T.H.D. 1 %, 1 kHz/DIN 45500)
 Reference: 130 W + 130 W (8 ohms, T.H.D. 10 %, 1 kHz/DIN 45324)
 DIN MUSIC POWER: 250 W + 250 W
[Dolby Pro Logic or 5.1 CH Mode]
Front
 Rated: 60 W + 60 W (8 ohms, T.H.D. 1 %, 1 kHz/DIN 45500)
 Reference: 75 W + 75 W (8 ohms, T.H.D. 10 %, 1 kHz/DIN 45324)
 DIN MUSIC POWER: 250 W + 250 W
Rear (Surround)
 Rated: 60 W + 60 W (8 ohms, T.H.D. 1 %, 1 kHz/DIN 45500)
 Reference: 75 W + 75 W (8 ohms, T.H.D. 10 %, 1 kHz/DIN 45324)
 DIN MUSIC POWER: 250 W + 250 W
Center
 Rated: 60 W (8 ohms, T.H.D. 1 %, 1 kHz/DIN 45500)
 Reference: 75 W (8 ohms, T.H.D. 10 %, 1 kHz/DIN 45324)
 DIN MUSIC POWER: 250 W
Total harmonic distortion inputs 0.08 % (50 W, 1kHz, 8 ohms, Front)
AUDIO IN
 PHONO : 2.5mV, adjustable (47 kohms)
 CD, VIDEO 1/DVD/MD, VIDEO 2/LD/TV, VIDEO 3: 300mV, adjustable (47 kohms)
 TAPE MONITOR : 350mV, (47 kohms)
 AUX : 250 mV, adjustable (47 kohms)

Outputs


5.1 INPUT

FRONT, CENTER: 300 mV, adjustable (47 kohms)
SURROUND: 300mV, adjustable (47 kohms)
SUB-WOOFER: 300 mV, adjustable (47 kohms)
VIDEO IN: 1 Vp-p (75 ohms)
AUDIO OUT (REC OUT) : 200 mV (1 kohm)
VIDEO OUT (MONITOR) : 1 Vp-p (75 ohms)
SUB WOOFER : 1.2 V
FRONT SPEAKERS IMP : 8 ohms (front speakers A and B) : accepts speakers of 8 ohms or more
SURROUND SPEAKERS IMP : 8 ohms (surround speakers) : accepts speakers of 8 ohms or more
CENTER SPEAKER IMP : 8 ohms : accepts speaker of 8 ohms or more
PHONES (stereo jack) : accepts headphones of 32 ohms or more
 -20 dB

Muting

General

Power requirements 230 V AC, 50 Hz
Power consumption 170 W
Power consumption in standby mode ECO OFF : 34 W
 ECO ON : 1.1 W
Dimensions (W x H x D) 430 x 155 x 402 mm
Weight 10.2 kg

- Design and specifications are subject to change without notice.
- Manufactured under license from Dolby Laboratories Licensing Corporation.
 "DOLBY", the double-D symbol  and "PRO LOGIC" are trademarks of Dolby Laboratories Licensing Corporation.

ACCESSORIES / PACKAGE LIST

REF. NO.	PART NO.	KANRI NO.	DESCRIPTION
1	8A-AR4-906-010		IB, EZ (9L) M
2	87-006-225-010		ANT, LOOP ANT NC2
3	87-A90-118-010		ANT, WIRE FM (Z)
4	8A-AR3-701-010		RC UNIT, RC-AAR03 BLK

ELECTRICAL MAIN PARTS LIST

REF. NO.	PART NO.	KANRI NO.	DESCRIPTION	REF. NO.	PART NO.	KANRI NO.	DESCRIPTION
IC							
	87-A21-419-040		C-IC,NJM14558MD-TE2	87-017-148-080			ZENER,HZS6A1L
	87-017-022-080		C-IC,NJM2068M-D(T1)	87-A40-003-080			ZENER,MTZJ4.3A
	87-020-784-080		C-IC,TC4053BF	87-A40-002-080			ZENER,MTZJ5.1C
	87-A20-736-010		IC,BA033ST				
	87-017-726-080		C-IC,BU4052BCF	MAIN C.B			
	87-A21-202-040		C-IC,M62445AFP	C101	87-010-235-080		CAP,E 470-16 M SME
	87-A21-481-040		C-IC,HD74HC4051FP	C102	87-010-235-080		CAP,E 470-16 M SME
	8A-AR4-601-110		C-IC,UPD780228GF-070	C103	87-010-384-080		CAP,E 100-25 M 11L SME
	87-070-083-010		IC,GP1U281X	C104	87-010-382-080		CAP,E 22-25 M 11L SME
	87-A20-820-010		IC,BA7625	C105	87-010-247-080		CAP,E 100-50 M SME
	87-017-917-080		C-IC,BU4066BCF	C106	87-010-384-080		CAP,E 100-25 M 11L SME
	87-A20-913-010		IC,LA1837NL	C108	87-012-140-080		C-CAP,S 470P-50 J CH
	87-070-127-110		IC,LC72131D	C109	87-012-368-080		C-CAP,S 0.1-50 Z F
	87-A20-440-040		C-IC,BU1920FS	C110	87-012-368-080		C-CAP,S 0.1-50 Z F
	87-A20-437-010		C-IC,M62431FP	C111	87-012-368-080		C-CAP,S 0.1-50 Z F
	87-A21-097-040		C-IC,M62463AFP	C112	87-012-368-080		C-CAP,S 0.1-50 Z F
	87-A21-015-040		C-IC,M62491FP	C113	87-016-658-090		CAP,E 4700-35 M SMG
				C114	87-016-658-090		CAP,E 4700-35 M SMG
				C115	87-012-368-080		C-CAP,S 0.1-50 Z F
				C116	87-012-368-080		C-CAP,S 0.1-50 Z F
TRANSISTOR				C117	87-012-368-080		C-CAP,S 0.1-50 Z F
	87-A30-197-080		TR,KTA1267GR	C118	87-012-368-080		C-CAP,S 0.1-50 Z F
	87-026-245-080		TR,DTC114ES	C119	87-A10-461-090		CAP,E 6800-71 SMG VB
	87-A30-198-080		TR,KTC3199GR	C120	87-A10-461-090		CAP,E 6800-71 SMG VB
	89-110-372-080		C-TR,2SA1037K(R)	C121	87-010-260-080		CAP,E 47-25 M 11L SME
	87-A30-071-080		C-TR,RT1N 144C	C122	87-010-403-080		CAP,E 3.3-50 M 11L SME
	89-213-702-010		TR,2SB1370E	C123	87-010-385-080		CAP,E 220-25 M SME
	87-A30-083-080		TR,CSD1489B	C124	87-010-385-080		CAP,E 220-25 M SME
	87-A30-075-080		C-TR,2SA1235F	C125	87-010-247-080		CAP,E 100-50 M SME
	87-A30-076-080		C-TR,2SC3052F	C126	87-010-263-080		CAP,E 100-10 M 11L SME
	87-A30-074-080		C-TR,RT1P 141C	C127	87-010-197-080		C-CAP,S 0.01-25 K B C2012
	87-026-610-080		TR,KTC3198GR	C131	87-010-378-080		CAP,E 10-16 M 11L SME
	87-A30-086-070		C-TR,CSD1306E	C133	87-010-378-080		CAP,E 10-16 M 11L SME
	87-026-609-080		TR,KTA1266GR	C135	87-012-368-080		C-CAP,S 0.1-50 Z F
	87-A30-257-080		C-TR,2SD1306E	C136	87-012-368-080		C-CAP,S 0.1-50 Z F
	87-A30-107-070		C-TR,CMBT5401	C143	87-A10-712-080		C-CAP,S 0.22-50 Z F
	87-A30-190-080		TR,CC5551	C144	87-A10-712-080		C-CAP,S 0.22-50 Z F
	87-A30-097-010		TR,FN1016	C203	87-010-176-080		C-CAP,S 680P-50 J SL
	87-A30-098-010		TR,FP1016	C204	87-010-176-080		C-CAP,S 680P-50 J SL
	87-A30-106-070		C-TR,CMBT5551	C205	87-010-405-080		CAP,E 10-50 M 11L SME
	87-A30-186-010		FET,2SK3053	C206	87-010-405-080		CAP,E 10-50 M 11L SME
	87-A30-072-080		C-TR,RT1P 144C	C209	87-010-392-080		CAP,E 33-35 M 11L SME
	87-026-236-080		C-TR,DTC124EK	C210	87-010-392-080		CAP,E 33-35 M 11L SME
	87-026-232-080		C-TR,DTA144WK	C211	87-010-322-080		C-CAP,S 100P-50 J CH GRM
	87-A30-087-080		C-FET,2SK2158	C212	87-010-322-080		C-CAP,S 100P-50 J CH GRM
	89-327-143-080		TR,2SC27140	C215	87-A10-897-080		CAP,E 100-25 BP SME
	87-A30-196-080		TR,2SC4115SRS	C216	87-A10-897-080		CAP,E 100-25 BP SME
	87-026-210-080		C-TR,DTC144EK	C217	87-A10-516-080		C-CAP,S 100P-200 J CH
	89-503-602-080		C-FET,2SK360E	C218	87-A10-516-080		C-CAP,S 100P-200 J CH
				C221	87-016-526-080		C-CAP,S 0.47-16 BK
DIODE				C222	87-016-526-080		C-CAP,S 0.47-16 BK
	87-020-465-080		DIODE,1SS133	C223	87-010-402-080		CAP,E 2.2-50 M 11L SME
	87-A40-345-080		ZENER,MTZJ10C	C224	87-010-402-080		CAP,E 2.2-50 M 11L SME
	87-A40-269-080		C-DIODE,MC2836	C225	87-010-196-080		C-CAP,S 0.1-25 Z F C2012
	87-A40-115-060		DIODE,RS603M	C226	87-016-251-080		CAP,E 220-16 M SMG
	87-A40-270-080		C-DIODE,MC2838	C227	87-010-178-080		C-CAP,S 1000P-50 K B C2012
	87-A40-004-080		ZENER,MTZJ16A	C228	87-010-178-080		C-CAP,S 1000P-50 K B C2012
	87-A40-335-080		ZENER,MTZJ11C T-72	C229	87-016-251-080		CAP,E 220-16 M SMG
	87-A40-224-010		DIODE,GBU8DL	C230	87-A10-354-080		C-CAP,S 0.047-50 K B
	87-070-274-080		DIODE,1N4003 SEM	C231	87-A10-354-080		C-CAP,S 0.047-50 K B
	87-A40-435-080		ZENER,MTZJ30D	C285	87-010-186-080		C-CAP,S 4700P-50 K B C2012
	87-A40-646-010		DIODE,FMB-G16L	C287	87-010-191-080		C-CAP,S 0.015-50 Z F GRM
	87-070-136-080		ZENER,MTZJ5.1B	C288	87-010-191-080		C-CAP,S 0.015-50 Z F GRM
	87-A40-344-080		ZENER,MTZJ6.2C	C289	87-010-191-080		C-CAP,S 0.015-50 Z F GRM
	87-A40-488-080		DIODE,1SS244	C290	87-010-191-080		C-CAP,S 0.015-50 Z F GRM
	87-A40-438-080		ZENER,MTZJ4.7A	C291	87-012-368-080		C-CAP,S 0.1-50 Z F
	87-017-931-080		ZENER,MTZJ5.6B	C292	87-012-368-080		C-CAP,S 0.1-50 Z F
				C293	87-012-368-080		C-CAP,S 0.1-50 Z F
				C294	87-012-368-080		C-CAP,S 0.1-50 Z F

REF. NO.	PART NO.	KANRI NO.	DESCRIPTION	REF. NO.	PART NO.	KANRI NO.	DESCRIPTION
C295	87-012-368-080		C-CAP,S 0.1-50 Z F	C533	87-015-785-080		C-CAP, 0.1-25 Z F C3216
C296	87-012-368-080		C-CAP,S 0.1-50 Z F	C535	87-010-404-080		CAP,E 4.7-50 M 11L SME
C297	87-012-368-080		C-CAP,S 0.1-50 Z F	C536	87-010-404-080		CAP,E 4.7-50 M 11L SME
C298	87-012-368-080		C-CAP,S 0.1-50 Z F	C539	87-010-401-080		CAP,E 1-50 M 11L SME
C303	87-010-179-080		C-CAP,S 1200P-50 K B GRM	C540	87-010-401-080		CAP,E 1-50 M 11L SME
C304	87-010-179-080		C-CAP,S 1200P-50 K B GRM	C541	87-010-185-080		C-CAP,S 3900P-50 K B
C305	87-010-406-080		CAP,E 22-50 M 11L SME	C542	87-010-185-080		C-CAP,S 3900P-50 K B
C306	87-010-406-080		CAP,E 22-50 M 11L SME	C547	87-010-404-080		CAP,E 4.7-50 M 11L SME
C308	87-016-299-080		CAP,E 10-100 M SME	C548	87-010-404-080		CAP,E 4.7-50 M 11L SME
C309	87-010-260-080		CAP,E 47-25 M 11L SME	C549	87-016-081-080		C-CAP,S 0.1-16 K R GRM
C310	87-010-260-080		CAP,E 47-25 M 11L SME	C550	87-016-081-080		C-CAP,S 0.1-16 K R GRM
C311	87-010-322-080		C-CAP,S 100P-50 J CH GRM	C554	87-010-196-080		C-CAP,S 0.1-25 Z F C2012
C312	87-010-322-080		C-CAP,S 100P-50 J CH GRM	C555	87-010-405-080		CAP,E 10-50 M 11L SME
C315	87-A10-897-080		CAP,E 100-25 BP SME	C556	87-010-248-080		CAP,E 220-10 M 11L SME
C316	87-A10-897-080		CAP,E 100-25 BP SME	C557	87-010-405-080		CAP,E 10-50 M 11L SME
C317	87-A10-516-080		C-CAP,S 100P-200 J CH	C559	87-010-183-080		C-CAP,S 2700P-50 K B GRM
C318	87-A10-516-080		C-CAP,S 100P-200 J CH	C561	87-012-140-080		C-CAP,S 470P-50 J CH
C321	87-016-526-080		C-CAP,S 0.47-16 BK	C562	87-012-140-080		C-CAP,S 470P-50 J CH
C322	87-016-526-080		C-CAP,S 0.47-16 BK	C565	87-010-404-080		CAP,E 4.7-50 M 11L SME
C323	87-010-402-080		CAP,E 2.2-50 M 11L SME	C566	87-010-404-080		CAP,E 4.7-50 M 11L SME
C324	87-010-402-080		CAP,E 2.2-50 M 11L SME	C605	87-010-405-080		CAP,E 10-50 M 11L SME
C325	87-010-196-080		C-CAP,S 0.1-25 Z F C2012	C606	87-010-405-080		CAP,E 10-50 M 11L SME
C327	87-010-178-080		C-CAP,S 1000P-50 K B C2012	C701	87-010-196-080		C-CAP,S 0.1-25 Z F C2012
C328	87-010-178-080		C-CAP,S 1000P-50 K B C2012	C702	87-010-196-080		C-CAP,S 0.1-25 Z F C2012
C330	87-A10-354-080		C-CAP,S 0.047-50 K B	C710	87-010-322-080		C-CAP,S 100P-50 J CH
C331	87-A10-354-080		C-CAP,S 0.047-50 K B	C711	87-010-322-080		C-CAP,S 100P-50 J CH
C334	87-A10-918-080		CAP,E 100-16 SMG	C712	87-010-322-080		C-CAP,S 100P-50 J CH
C335	87-A10-918-080		CAP,E 100-16 SMG	C713	87-010-322-080		C-CAP,S 100P-50 J CH
C385	87-010-186-080		C-CAP,S 4700P-50 K B C2012	C714	87-010-322-080		C-CAP,S 100P-50 J CH
C391	87-012-368-080		C-CAP,S 0.1-50 Z F	C715	87-010-322-080		C-CAP,S 100P-50 J CH
C392	87-012-368-080		C-CAP,S 0.1-50 Z F	C723	87-010-401-080		CAP,E 1-50 M 11L SME
C393	87-012-368-080		C-CAP,S 0.1-50 Z F	C726	87-010-401-080		CAP,E 1-50 M 11L SME
C394	87-012-368-080		C-CAP,S 0.1-50 Z F	C745	87-012-368-080		C-CAP,S 0.1-50 Z F
C395	87-010-191-080		C-CAP,S 0.015-50 Z F GRM	C746	87-012-368-080		C-CAP,S 0.1-50 Z F
C396	87-010-191-080		C-CAP,S 0.015-50 Z F GRM	C750	87-010-196-080		C-CAP,S 0.1-25 Z F C2012
C397	87-012-368-080		C-CAP,S 0.1-50 Z F	C901	87-010-406-080		CAP,E 22-50 M 11L SME
C398	87-012-368-080		C-CAP,S 0.1-50 Z F	C902	87-010-406-080		CAP,E 22-50 M 11L SME
C402	87-010-181-080		C-CAP,S 1800P-50 K B GRM	C903	87-010-406-080		CAP,E 22-50 M 11L SME
C403	87-010-405-080		CAP,E 10-50 M 11L SME	C904	87-010-406-080		CAP,E 22-50 M 11L SME
C405	87-010-406-080		CAP,E 22-50 M 11L SME	C905	87-010-406-080		CAP,E 22-50 M 11L SME
C406	87-010-322-080		C-CAP,S 100P-50 J CH GRM	C906	87-010-260-080		CAP,E 47-25 M 11L SME
C408	87-A10-897-080		CAP,E 100-25 BP SME	C907	87-010-196-080		C-CAP,S 0.1-25 Z F C2012
C409	87-A10-516-080		C-CAP,S 100P-200 J CH	C908	87-010-387-080		CAP,E 470-25 M SME
C411	87-016-526-080		C-CAP,S 0.47-16 BK	C909	87-010-371-080		CAP,E 470-6.3 M SME
C412	87-010-402-080		CAP,E 2.2-50 M 11L SME	C910	87-010-371-080		CAP,E 470-6.3 M SME
C413	87-010-196-080		C-CAP,S 0.1-25 Z F C2012	C911	87-010-371-080		CAP,E 470-6.3 M SME
C414	87-010-178-080		C-CAP,S 1000P-50 K B C2012	C912	87-010-196-080		C-CAP,S 0.1-25 Z F C2012
C416	87-016-299-080		CAP,E 10-100 M SME	C913	87-010-196-080		C-CAP,S 0.1-25 Z F C2012
C420	87-A10-354-080		C-CAP,S 0.047-50 K B	C914	87-010-196-080		C-CAP,S 0.1-25 Z F C2012
C485	87-010-186-080		C-CAP,S 4700P-50 K B C2012	C951	87-010-322-080		C-CAP,S 100P-50 J CH
C491	87-012-368-080		C-CAP,S 0.1-50 Z F	C952	87-010-322-080		C-CAP,S 100P-50 J CH
C492	87-012-368-080		C-CAP,S 0.1-50 Z F	C953	87-010-322-080		C-CAP,S 100P-50 J CH
C493	87-010-191-080		C-CAP,S 0.015-50 Z F GRM	C954	87-010-322-080		C-CAP,S 100P-50 J CH
C494	87-012-368-080		C-CAP,S 0.1-50 Z F	CN110	87-A60-621-010		CONN,4P V 2MM JMT
C501	87-010-404-080		CAP,E 4.7-50 M 11L SME	CN501	87-A60-553-010		CONN,35P V 9604S-35C
C502	87-010-404-080		CAP,E 4.7-50 M 11L SME	CN503	87-A60-056-010		CONN,12P V 9604S-12C
C503	87-012-157-080		C-CAP,S 330P-50 J CH GRM	CN504	87-099-567-010		CONN,10P TUC-P10P-B1
C504	87-012-157-080		C-CAP,S 330P-50 J CH GRM	CN505	87-099-570-010		CONN,13P V TUC-P13P-B1
C511	87-010-404-080		CAP,E 4.7-50 M 11L SME	CN506	87-A60-063-010		CONN,04P V 9604S-04C
C512	87-010-404-080		CAP,E 4.7-50 M 11L SME	CN601	87-A60-627-010		CONN,10P V 2MM JMT
C513	87-010-260-080		CAP,E 47-25 M 11L SME	CN702	87-099-668-010		CONN,9P TUC-P 9P-B1
C514	87-010-260-080		CAP,E 47-25 M 11L SME	CN901	87-A60-619-010		CONN,2P V 2MM JMT
C515	87-010-370-080		CAP,E 330-6.3 M SME	CNA003	8A-AR3-654-010		CONN ASSY,9P VH
C516	87-010-370-080		CAP,E 330-6.3 M SME	CNA201	8Z-AR4-606-010		CONN ASSY,8P VH
C517	87-010-196-080		C-CAP,S 0.1-25 Z F C2012	CNA202	8Z-AR4-605-010		CONN ASSY,6P VH
C518	87-010-196-080		C-CAP,S 0.1-25 Z F C2012	FB501	87-008-372-080		FLTR,EMI BL01 RN1
C519	87-010-196-080		C-CAP,S 0.1-25 Z F C2012	FB602	87-008-372-080		FLTR,EMI BL01 RN1
C520	87-010-196-080		C-CAP,S 0.1-25 Z F C2012	J501	87-A60-947-010		JACK,PIN 4P W/R GLD
C531	87-010-213-080		C-CAP,S 0.015-25 K B GRM	J502	87-A60-947-010		JACK,PIN 4P W/R GLD
C532	87-010-992-080		C-CAP,S 0.047-25 K B MK212	J715	87-A61-059-010		JACK,PIN 1P BLK W/O SW GOLD

REF. NO.	PART NO.	KANRI NO.	DESCRIPTION	REF. NO.	PART NO.	KANRI NO.	DESCRIPTION
J750	87-A61-304-010		JACK,PIN 6P HSP-246V6-58	C809	87-010-196-080		C-CAP,S 0.1-25 Z F C2012
J901	87-A60-949-010		JACK,PIN 3P R/W/Y V GLD	C810	87-010-196-080		C-CAP,S 0.1-25 Z F C2012
J902	87-A60-950-010		JACK,PIN 3P R/W/Y W/E GLD	C811	87-A10-189-040		CAP,E 220-10 M 5L
J903	87-A60-949-010		JACK,PIN 3P R/W/Y V GLD	C812	87-A10-189-040		CAP,E 220-10 M 5L
J904	87-A60-949-010		JACK,PIN 3P R/W/Y V GLD	C814	87-010-178-080		C-CAP,S 1000P-50 K B C2012
J905	87-A60-949-010		JACK,PIN 3P R/W/Y V GLD	C816	87-010-312-080		C-CAP,S 15P-50 J CH GRM
L291	87-003-383-010		COIL,1UH K	C817	87-012-155-080		C-CAP,S 180P-50 J CH GRM
L292	87-003-383-010		COIL,1UH K	C818	87-010-178-080		C-CAP,S 1000P-50 K B C2012
L293	87-003-383-010		COIL,1UH K	C819	87-012-156-080		C-CAP,S 220P-50 J CH GRM
L294	87-003-383-010		COIL,1UH K	C820	87-012-156-080		C-CAP,S 220P-50 J CH GRM
L391	87-003-383-010		COIL,1UH K	C821	87-010-178-080		C-CAP,S 1000P-50 K B C2012
L392	87-003-383-010		COIL,1UH K	C822	87-010-182-080		C-CAP,S 2200P-50 K B C2012
L491	87-003-383-010		COIL,1UH K	C823	87-010-182-080		C-CAP,S 2200P-50 K B C2012
L901	87-005-239-080		COIL,100UH K LAL03	C824	87-010-182-080		C-CAP,S 2200P-50 K B C2012
JW177	87-008-372-080		FLTR,EMI BL01 RN1	C825	87-010-196-080		C-CAP,S 0.1-25 Z F C2012
△ PR101	87-026-682-080		PROTECTOR,10A 491 SERIES 60V	C826	87-010-405-040		CAP,E 10-50 M 11L SME
△ PR104	87-026-682-080		PROTECTOR,10A 491 SERIES 60V	C827	87-010-198-080		C-CAP,S 2200P-50 K B C2012
△ PR201	87-026-682-080		PROTECTOR,10A 491 SERIES 60V	C829	87-012-156-080		C-CAP,S 220P-50 J CH GRM
△ PR202	87-026-682-080		PROTECTOR,10A 491 SERIES 60V	C831	87-A10-189-040		CAP,E 220-10 M 5L
△ PR301	87-026-682-080		PROTECTOR,10A 491 SERIES 60V	C832	87-010-196-080		C-CAP,S 0.1-25 Z F C2012
△ PR302	87-026-682-080		PROTECTOR,10A 491 SERIES 60V	C833	87-012-368-080		C-CAP,S 0.1-50 Z F
△ PR401	87-026-682-080		PROTECTOR,10A 491 SERIES 60V	C834	87-012-368-080		C-CAP,S 0.1-50 Z F
△ PR402	87-026-682-080		PROTECTOR,10A 491 SERIES 60V	C835	87-012-368-080		C-CAP,S 0.1-50 Z F
R109	87-029-060-080		RES,FUSE 33-1/4W J	C836	87-012-157-080		C-CAP,S 330P-50 J CH GRM
R211	87-A00-571-050		RES,M/F 0.15-2W JRZ	C837	87-012-157-080		C-CAP,S 330P-50 J CH GRM
R212	87-A00-571-050		RES,M/F 0.15-2W JRZ	C838	87-012-157-080		C-CAP,S 330P-50 J CH GRM
R231	87-A00-571-050		RES,M/F 0.15-2W JRZ	C839	87-012-157-080		C-CAP,S 330P-50 J CH GRM
R232	87-A00-571-050		RES,M/F 0.15-2W JRZ	C840	87-012-157-080		C-CAP,S 330P-50 J CH GRM
R233	87-A00-571-050		RES,M/F 0.15-2W JRZ	C841	87-012-157-080		C-CAP,S 330P-50 J CH GRM
R234	87-A00-571-050		RES,M/F 0.15-2W JRZ	C842	87-012-157-080		C-CAP,S 330P-50 J CH GRM
R281	87-A00-373-050		RES,M/F 270-1W J VTP	C843	87-012-157-080		C-CAP,S 330P-50 J CH GRM
R282	87-A00-373-050		RES,M/F 270-1W J VTP	C844	87-012-157-080		C-CAP,S 330P-50 J CH GRM
R283	87-A00-373-050		RES,M/F 270-1W J VTP	C845	87-012-157-080		C-CAP,S 330P-50 J CH GRM
R284	87-A00-373-050		RES,M/F 270-1W J VTP	C846	87-012-157-080		C-CAP,S 330P-50 J CH GRM
R331	87-A00-571-050		RES,M/F 0.15-2W JRZ	C847	87-015-699-040		CAP,E 10-50 7L
R332	87-A00-571-050		RES,M/F 0.15-2W JRZ	C848	87-010-405-040		CAP,E 10-50 SME
R333	87-A00-571-050		RES,M/F 0.15-2W JRZ	C849	87-012-368-080		C-CAP,S 0.1-50 Z F
R334	87-A00-571-050		RES,M/F 0.15-2W JRZ	C850	87-010-408-040		CAP,E 47-50 M 11L SME
R416	87-A00-571-050		RES,M/F 0.15-2W JRZ	C852	87-010-560-040		CAP,E 10-50 M 5L SMA
R417	87-A00-571-050		RES,M/F 0.15-2W JRZ	C864	87-012-157-080		C-CAP,S 330P-50 J CH GRM
R424	87-A00-571-050		RES,M/F 0.15-2W JRZ	C866	87-012-140-080		C-CAP,S 470P-50 J CH
R590	87-A00-571-050		RES,M/F 0.15-2W JRZ	CN801	87-A60-079-010		CONN,08P H 9604S-08F
R611	87-A00-571-050		RES,M/F 0.15-2W JRZ	CN802	87-A61-195-010		CONN,35P H 9604S-35C
R902	87-010-196-080		C-CAP,S 0.1-25 Z F C2012	CN805	87-A60-076-010		CONN,12P H 9604S-12F
R905	87-010-317-080		C-CAP,S 39P-50 J CH	FFC801	88-908-101-110		FF-CABLE,8P 1.25 100MM
S291	87-A90-174-010		SW,PUSH 2-2-2 R2121382ES	FFC802	8A-AR3-644-010		FF-CABLE,35P 1.25 430
S292	87-A90-174-010		SW,PUSH 2-2-2 R2121382ES	FFC805	88-912-101-110		FF-CABLE,12P-1.25 100MM
TH201	87-A91-081-080		C-THMS,100K-K 20P	FL801	8A-AR1-602-010		FL,BJ759GK
TH202	87-A91-081-080		C-THMS,100K-K 20P	L801	87-A50-434-010		COIL,CLK 4.19M(TOKO)
TH301	87-A91-081-080		C-THMS,100K-K 20P	LED703	87-A40-317-010		LED,SLR-342VCT31 RED
TH302	87-A91-081-080		C-THMS,100K-K 20P	LED704	87-A40-317-080		LED,SLR-342VCT31 RED
TH401	87-A91-081-080		C-THMS,100K-K 20P	LED705	87-A40-317-080		LED,SLR-342VCT31 RED
WH101	87-A90-510-010		HLD,DR,WIRE 2.5-9P	LED706	87-A40-317-080		LED,SLR-342VCT31 RED
FRONT C.B				LED707	87-A40-317-080		LED,SLR-342VCT31 RED
				LED708	87-A40-317-080		LED,SLR-342VCT31 RED
C707	87-010-382-040		CAP,E 22-25 M 11L SME	LED709	87-A40-317-080		LED,SLR-342VCT31 RED
C708	87-010-382-040		CAP,E 22-25 M 11L SME	LED710	87-A40-317-080		LED,SLR-342VCT31 RED
C709	87-010-382-040		CAP,E 22-25 M 11L SME	LED711	87-A40-317-080		LED,SLR-342VCT31 RED
C710	87-010-382-040		CAP,E 22-25 M 11L SME	LED712	87-A40-317-080		LED,SLR-342VCT31 RED
C711	87-010-263-040		CAP,E 100-10 M 11L SME	△ R930	87-026-689-080		PROTECTOR,1A 491 SERIES 60V
C712	87-010-382-040		CAP,E 22-25 M 11L SME	S801	87-A90-095-080		SW,TACT EVQ11G04M
C714	87-010-560-040		CAP,E 10-50 M 5L MA	S802	87-A90-095-080		SW,TACT EVQ11G04M
C723	87-010-405-040		CAP,E 10-50 M 11L SME	S803	87-A90-095-080		SW,TACT EVQ11G04M
C801	87-010-322-080		C-CAP,S 100P-50 J CH GRM	S804	87-A90-095-080		SW,TACT EVQ11G04M
C803	87-010-196-080		C-CAP,S 0.1-25 Z F C2012	S805	87-A90-095-080		SW,TACT EVQ11G04M
C805	87-010-198-080		C-CAP,S 0.022-25 K B C2012	S806	87-A90-095-080		SW,TACT EVQ11G04M
C806	87-010-400-040		CAP,E 0.47-50 M 11L SME	S807	87-A90-095-080		SW,TACT EVQ11G04M
C807	87-010-196-080		C-CAP,S 0.1-25 Z F C2012	S808	87-A90-095-080		SW,TACT EVQ11G04M
C808	87-010-498-040		CAP,E 10-16 M 5L SRE	S809	87-A90-095-080		SW,TACT EVQ11G04M
				S812	87-A90-095-080		SW,TACT EVQ11G04M

REF. NO.	PART NO.	KANRI NO.	DESCRIPTION	REF. NO.	PART NO.	KANRI NO.	DESCRIPTION
S813	87-A90-095-080		SW, TACT EVQ11G04M	C870	87-010-166-080		C-CAP, S 100P-50 SL
S814	87-A90-095-080		SW, TACT EVQ11G04M	C871	87-010-166-080		C-CAP, S 100P-50 SL
S816	87-A90-095-080		SW, TACT EVQ11G04M	C872	87-016-081-080		C-CAP, S 0.1-16 RK
S817	87-A90-095-080		SW, TACT EVQ11G04M	C873	87-016-081-080		C-CAP, S 0.1-16 RK
SW801	87-A91-646-010		SW, RTRY EC12E12204	C878	87-010-401-080		CAP, ELECT 1-50V
SW802	87-A91-647-010		SW, RTRY EC12E12504	C891	87-010-404-080		CAP, ELECT 4.7-50V
				C892	87-010-404-080		CAP, ELECT 4.7-50V
				CN801	87-099-556-010		CONN, 10P TUC-P10X-B1
				CN802	87-099-559-010		CONN, 13P TUC-P13X-B1
				R832	87-016-552-080		C-CAP, S 0.082-16 K B C2012
PROLOGIC C.B				R834	87-016-552-080		C-CAP, S 0.082-16 K B C2012
C801	87-010-176-080		C-CAP, S 680P-50 SL				
C802	87-010-176-080		C-CAP, S 680P-50 SL				
C803	87-010-949-080		CHIP CAPACITOR, S 0.01-50 BJ				
C804	87-010-949-080		CHIP CAPACITOR, S 0.01-50 BJ				
C805	87-010-949-080		CHIP CAPACITOR, S 0.01-50 BJ	VOLUME C.B			
C806	87-010-949-080		CHIP CAPACITOR, S 0.01-50 BJ	C601	87-010-195-080		C-CAP, S 0.068-25 Z F C2012
C807	87-010-405-080		CAP, ELECT 10-50V	C602	87-010-195-080		C-CAP, S 0.068-25 Z F C2012
C808	87-010-405-080		CAP, ELECT 10-50V	C603	87-010-195-080		C-CAP, S 0.068-25 Z F C2012
C809	87-016-081-080		C-CAP, S 0.1-16 RK	C604	87-010-195-080		C-CAP, S 0.068-25 Z F C2012
C810	87-010-112-080		CAP, ELECT 100-16V	C605	87-010-195-080		C-CAP, S 0.068-25 Z F C2012
C811	87-010-402-080		CAP, ELECT 2.2-50V	C606	87-010-805-080		C-CAP, S 1-16 Z F
C812	87-010-402-080		CAP, ELECT 2.2-50V	C607	87-010-178-080		C-CAP, S 1000P-50 K B C2012
C813	87-010-400-080		CAP, ELECT 0.47-50V	C608	87-010-186-080		C-CAP, S 4700P-50 K B C2012
C814	87-010-401-080		CAP, ELECT 1-50V	C610	87-010-196-080		C-CAP, S 0.1-25 Z F C2012
C815	87-010-546-080		CAP, ELECT 0.33-50V	C611	87-010-196-080		C-CAP, S 0.1-25 Z F C2012
C816	87-010-546-080		CAP, ELECT 0.33-50V	C612	87-010-196-080		C-CAP, S 0.1-25 Z F C2012
C817	87-010-221-080		CAP, ELECT 470-10V	C613	87-010-196-080		C-CAP, S 0.1-25 Z F C2012
C818	87-010-367-080		CAP, E 4.7-25 BP	C614	87-010-196-080		C-CAP, S 0.1-25 Z F C2012
C819	87-010-188-080		CAP, CHIP 6800P	C615	87-010-196-080		C-CAP, S 0.1-25 Z F C2012
C820	87-010-374-080		CAP, ELECT 47-10V	C634	87-010-374-080		CAP, E 47-10 M 11L SME
C821	87-016-081-080		C-CAP, S 0.1-16 RK	C651	87-010-178-080		C-CAP, S 1000P-50 K B C2012
C822	87-016-083-080		C-CAP, S 0.15-16 RK	C652	87-010-178-080		C-CAP, S 1000P-50 K B C2012
C823	87-010-263-080		CAP, ELECT 100-10V	CN601	87-A60-076-010		CONN, 12P H 9604S-12F
C824	87-010-374-080		CAP, ELECT 47-10V	CN603	87-A60-080-010		CONN, 07P H 9604S-07F
C825	87-016-081-080		C-CAP, S 0.1-16 RK	FFC603	88-907-301-110		FF-CABLE, 7P 1.25
C826	87-010-166-080		C-CAP, S 100P-50 SL	S601	87-A90-095-080		SW, TACT EVQ11G04M
C827	87-010-166-080		C-CAP, S 100P-50 SL	S602	87-A90-095-080		SW, TACT EVQ11G04M
C828	87-010-166-080		C-CAP, S 100P-50 SL	SW601	87-A91-645-010		SW, RTRY EC12E24304NON-CLICK
C830	87-010-546-080		CAP, ELECT 0.33-50V				
C831	87-010-971-080		C-CAP, S 4700P-50 B J	VIDEO C.B			
C832	87-012-349-080		C-CAP, S 1000P-50 CH	C501	87-A11-148-080		CAP, TC U 0.1-50 Z F
C837	87-010-971-080		C-CAP, S 4700P-50 B J	C502	87-A11-148-080		CAP, TC U 0.1-50 Z F
C838	87-012-349-080		C-CAP, S 1000P-50 CH	C503	87-010-188-080		C-CAP, S 6800P-50 K B C2012
C839	87-010-401-080		CAP, ELECT 1-50V	C504	87-010-188-080		C-CAP, S 6800P-50 K B C2012
C840	87-010-401-080		CAP, ELECT 1-50V	C507	87-A11-148-080		CAP, TC U 0.1-50 Z F
C841	87-A10-799-080		C-CAP, S 5600P-16 J B CM	CN604	87-099-201-010		CONN, 8P H BLK 6216
C842	87-A10-802-080		C-CAP, S 0.047-16 J B CM	CN605	8A-AR3-652-010		CONN ASSY, 2P -VIDEO 3
C843	87-A10-229-080		C-CAP, S 0.68-10 K W5	FB501	87-008-372-080		FLTR, EMI BL01RN1
C844	87-012-393-080		C-CAP, S 0.22-16 R K	FB602	87-008-372-080		FLTR, EMI BL01RN1
C845	87-012-393-080		C-CAP, S 0.22-16 R K	J501	87-A60-948-010		JACK, PIN 3P R/W/Y GLD
C846	87-010-404-080		CAP, ELECT 4.7-50V	J603	87-A60-550-010		JACK, DIA6.3 BLK ST W/SW KM
C847	87-010-404-080		CAP, ELECT 4.7-50V				
C848	87-012-393-080		C-CAP, S 0.22-16 R K	GEQ C.B			
C849	87-012-393-080		C-CAP, S 0.22-16 R K	C758	87-010-404-080		CAP, ELECT 4.7-50V
C850	87-016-081-080		C-CAP, S 0.1-16 RK	C759	87-012-368-080		C-CAP, S 0.1-50 F
C851	87-A10-802-080		C-CAP, S 0.047-16 J B CM	C761	87-010-198-080		CAP, CHIP 0.022
C852	87-A10-802-080		C-CAP, S 0.047-16 J B CM	C762	87-010-197-080		CAP, CHIP 0.01 DM
C853	87-016-081-080		C-CAP, S 0.1-16 RK	C764	87-010-185-080		C-CAP, S 3900P-50 B
C854	87-016-081-080		C-CAP, S 0.1-16 RK	C765	87-010-194-080		CAP, CHIP 0.047
C855	87-A10-801-080		C-CAP, S 0.022-16 J B CM	C766	87-010-181-080		CAP, CHIP S 1800P
C856	87-A10-801-080		C-CAP, S 0.022-16 J B CM	C767	87-010-198-080		CAP, CHIP 0.022
C857	87-016-081-080		C-CAP, S 0.1-16 RK	C768	87-010-994-080		C-CAP, S 680P-50 CH
C861	87-016-081-080		C-CAP, S 0.1-16 RK	C769	87-010-188-080		CAP, CHIP 6800P
C862	87-010-263-080		CAP, ELECT 100-10V	C770	87-012-145-080		CAP, CHIP S 270P CH
C863	87-016-081-080		C-CAP, S 0.1-16 RK	C771	87-010-183-080		C-CAP, S 2700P-50 B
C864	87-010-263-080		CAP, ELECT 100-10V	C772	87-012-145-080		CAP, CHIP S 270P CH
C865	87-016-083-080		C-CAP, S 0.15-16 RK	C773	87-010-188-080		CAP, CHIP 6800P
C867	87-A10-201-080		C-CAP, S 0.33-16 KB	C774	87-010-994-080		C-CAP, S 680P-50 CH
C868	87-A10-060-080		C-CAP, S 0.18-16 K B				
C869	87-010-166-080		C-CAP, S 100P-50 SL				

REF. NO.	PART NO.	KANRI NO.	DESCRIPTION	REF. NO.	PART NO.	KANRI NO.	DESCRIPTION
C775	87-010-198-080		CAP, CHIP 0.022	C784	87-012-286-080		CAP,U 0.01-25
C776	87-010-181-080		CAP,CHIP S 1800P	C785	87-010-805-080		C-CAP,S 1-6 ZF
C777	87-010-194-080		CAP, CHIP 0.047	C786	87-010-805-080		C-CAP,S 1-6 ZF
C778	87-010-185-080		C-CAP,S 3900P-50 B	C787	87-012-280-080		C-CAP,U 3300P-50 B
C780	87-010-197-080		CAP, CHIP 0.01 DM	C788	87-012-280-080		C-CAP,U 3300P-50 B
C782	87-010-183-080		C-CAP,S 2700P-50 B	C789	87-012-275-080		C-CAP,U 1200P-50 B
C783	87-010-198-080		CAP, CHIP 0.022	C790	87-012-275-080		C-CAP,U 1200P-50 B
C786	87-010-402-080		CAP, ELECT 2.2-50V	C791	87-010-405-080		CAP,ELECT 10-50V
C787	87-010-402-080		CAP, ELECT 2.2-50V	C793	87-012-274-080		C-CAP,U 1000P-50 B
C788	87-010-260-080		CAP, ELECT 47-25V	C794	87-010-406-080		CAP,ELECT 22-50
C789	87-010-260-080		CAP, ELECT 47-25V	C795	87-010-829-080		CAP,U 0.047-16 ZF
C790	87-010-260-080		CAP, ELECT 47-25V	C796	87-010-403-080		CAP,ELECT 3.3-50V
C791	87-010-405-080		CAP, ELECT 10-50V	C797	87-012-276-080		C-CAP,U 1500P-50 KB
C792	87-010-405-080		CAP, ELECT 10-50V	C798	87-012-276-080		C-CAP,U 1500P-50 KB
C793	87-012-368-080		C-CAP,S 0.1-50 F	C799	87-010-829-080		CAP,U 0.047-16
C794	87-012-368-080		C-CAP,S 0.1-50 F	C800	87-010-383-080		CAP,ELECT 33-25V
C797	87-010-322-080		C-CAP,S 100P-50 CH	C812	87-012-286-080		CAP,U 0.01-25
C798	87-010-322-080		C-CAP,S 100P-50 CH	C814	87-012-286-080		CAP,U 0.01-25
C799	87-010-322-080		C-CAP,S 100P-50 CH	C818	87-010-196-080		CHIP CAPACITOR,0.1-25
CN701	87-099-670-010		CONN,9P TUC-P9X-B1	C820	87-010-260-080		CAP,ELECT 47-25V
CN702	8A-AR3-653-010		CONN ASSY,10P (GEQ)	C821	87-012-286-080		CAP,U 0.01-25
				C822	87-012-286-080		CAP,U 0.01-25
				C823	87-012-286-080		CAP,U 0.01-25
TUNER C.B				C828	87-010-196-080		CHIP CAPACITOR,0.1-25
				C829	87-010-196-080		CHIP CAPACITOR,0.1-25
C701	87-010-260-080		CAP,ELECT 47-25V	C859	87-012-286-080		C-CAP,U 0.01-25 KB
C702	87-010-404-080		CAP,ELECT 4.7-50V	C861	87-012-199-080		C-CAP,U 220P-50 J CH
C703	87-012-286-080		CAP,U 0.01-25	C862	87-012-199-080		C-CAP,U 220P-50 J CH
C704	87-012-286-080		CAP,U 0.01-25	C863	87-012-270-080		C-CAP,U 470P-50 KB
C709	87-012-195-080		C-CAP,U 100P-50CH	C864	87-010-405-080		CAP,E 10-50 M 11L SME
C711	87-010-263-080		CAP,ELECT 100-10V	C865	87-010-196-080		C-CAP,S 0.1-25 ZF
C712	87-010-196-080		C-CAP,S 0.1-25 ZF	C866	87-010-405-080		CAP,E 10-50 M 11L SME
C713	87-012-286-080		CAP,U 0.01-25	C867	87-012-286-080		C-CAP,U 0.01-25 KB
C714	87-012-286-080		CAP,U 0.01-25	C868	87-012-184-080		C-CAP,U 33P-50 J CH
C715	87-012-195-080		C-CAP,U 100P-50CH	C869	87-012-180-080		C-CAP,U 22P-50 J CH
C717	87-012-286-080		CAP,U 0.01-25	C940	87-012-286-080		C-CAP,U 0.01-25 KB
C719	87-012-286-080		CAP,U 0.01-25	C942	87-012-172-080		C-CAP,U 10P-50 D CH
C720	87-012-195-080		C-CAP,U 100P-50CH	C947	87-012-286-080		C-CAP,U 0.01-25 KB
C721	87-012-176-080		CAP,15P	C949	87-A10-039-080		C-CAP,U 470P-50 J CH
C722	87-012-176-080		CAP,15P	C952	87-012-286-080		C-CAP,U 0.01-25 KB
C723	87-012-274-080		CHIP CAP,U 1000P-50B	C958	87-012-186-080		C-CAP,S 0.01-25 KB
C725	87-012-274-080		CHIP CAP,U 1000P-50B	C959	87-010-196-080		CHIP CAPACITOR,0.1-25
C727	87-010-196-080		CHIP CAPACITOR,0.1-25	C960	87-010-196-080		CHIP CAPACITOR,0.1-25
C728	87-010-248-080		CAP,ELECT 220-10V	C962	87-010-401-080		CAP,E 1-50 M 11L SME
C753	87-012-195-080		C-CAP,U 100P-50 J CH	CF801	87-008-423-010		FLTR,CF SFE10.7MS3G-A
C755	87-012-286-080		CAP,U 0.01-25	CF802	82-785-747-010		CF,MS2 GHY R
C756	87-012-286-080		CAP,U 0.01-25	CN601	87-099-029-010		CONN,12P H BLK 6216
C757	87-012-188-080		C-CAP,U 47P-50 CH	CN602	87-099-211-010		CONN,4P V BLK 6216
C758	87-012-167-080		C-CAP,U 5P-50 CH	FFC601	88-912-161-110		FF-CABLE,12P 1.25 160
C761	87-010-196-080		C-CAP,S 0.1-25 ZF	FFC602	88-904-181-110		FF-CABLE,4P 1.25
C762	87-012-286-080		CAP,U 0.01-25	FFE801	A8-6ZA-191-130		6ZA-1 FEENM
C763	87-010-829-080		CAP,U 0.047-16	J802	87-033-241-010		TERMINAL,ANT 2P AJ-2039
C765	87-012-286-080		CAP,U 0.01-25	L771	87-A50-266-010		COIL,FM DET-2N(TOK)
C766	87-012-286-080		CAP,U 0.01-25	L772	87-A90-733-010		FLTR,PCFAZH-450(TOK)
C768	87-012-286-080		CAP,U 0.01-25	L781	87-005-847-080		COIL,2.2UH K CECS
C769	87-010-260-080		CAP,ELECT 47-25V	L791	87-A50-027-010		COIL,1 POLE MPX(TOK)
C770	87-010-829-080		CAP,U 0.047-16	L792	87-A50-027-010		COIL,1 POLE MPX(TOK)
C771	87-010-383-080		CAP,ELECT 33-25V	L832	87-005-847-080		COIL,2.2UH K CECS
C772	87-010-829-080		CAP,U 0.047-16	L941	87-A50-020-010		COIL,ANT LW(COI)252KHZ
C773	87-015-785-080		C-CAP,0.1-25 ZF	L942	87-A50-019-010		COIL,OSC LW(COI) 856KHZ
C774	87-010-263-080		CAP,ELECT 100-10V	L981	87-NF4-651-110		COIL,AM PACK 2N(TOM)
C775	87-010-404-080		CAP,ELECT 4.7-50V	TC942	87-A91-658-010		TRIMMER,30P 4.0X4.5 ECRL
C776	87-012-286-080		CAP,U 0.01-25	X721	87-A70-061-010		VIB,XTAL 4.500MHZ CSA-309
C777	87-010-400-080		CAP,E 0.47-50 M 11L SME	X851	87-A70-091-010		VIB,XTAL 4.332MHZ CSA-309
C778	87-010-401-080		CAP,ELECT 1-50V				
C779	87-010-401-080		CAP,ELECT 1-50V	PT C.B			
C780	87-010-196-080		CHIP CAPACITOR,0.1-25	C1	87-010-387-080		CAP,E 470-25 M SME
C781	87-010-405-080		CAP,ELECT 10-50V	C1	87-018-209-080		CAP,TC U 0.1-50 Z F UP050
C782	87-010-405-080		CAP,ELECT 10-50V	C2	87-010-403-080		CAP,E 3.3-50 M 11L SME
C783	87-012-286-080		CAP,U 0.01-25				

REF. NO.	PART NO.	KANRI NO.	DESCRIPTION
C3	87-A11-148-080		CAP,TC U 0.1-50 Z F
C4	87-A11-148-080		CAP,TC U 0.1-50 Z F
C5	87-A11-148-080		CAP,TC U 0.1-50 Z F
△ C7	87-A10-922-090		CAP,CER 0.01-250 M F KH
C141	87-A11-148-080		CAP,TC U 0.1-50 Z F
CN101	88-805-042-690		CONN ASSY,4P
CN103	87-A61-057-010		CONN,9P V THL-P09P-A1
△ F101	87-035-458-010		FUSE,4A 250V T 218
△ FC101	87-A90-160-080		FUSE CLAMP,FC 51F
△ FC102	87-A90-160-080		FUSE CLAMP,FC 51F
△ PR105	87-026-682-080		PROTECTOR,10A 491SERIES 60V
△ PR106	87-026-682-080		PROTECTOR,10A 491SERIES 60V
△ PT2	8Z-NF8-659-010		PT,SUB ZNF-8(E) TAM
△ PT101	8A-AR4-607-010		PT,AAR-4 (EZ)
△ RY1	87-A90-977-010		RELAY,AC12V DG12D1-O(M)
△ T1	87-A60-317-010		TERMINAL, 1P MSC
△ T2	87-A60-317-010		TERMINAL, 1P MSC

SPKR C.B

CN201	87-099-799-010	CONN,8P V B 8P-VH
CN202	87-009-663-010	CONN,6P V VH
J901	87-A61-051-010	TERMINAL,SPKR LTS0820-1003
J902	87-A60-965-010	TERMINAL,SP 6P LTS0620-2002

○チップ抵抗部品コード/CHIP RESISTOR PART CODE

チップ抵抗部品コードの成り立ち

Chip Resistor Part Coding



チップ抵抗 Chip resistor

容量 Wattage	種類 Type	許容誤差 Tolerance	記号 Symbol	寸法/Dimensions (mm)			抵抗コード : A Resistor Code : A	
				外形/Form	L	W		t
1/16W	1005	± 5%	CJ		1.0	0.5	0.35	104
1/16W	1608	± 5%	CJ		1.6	0.8	0.45	108
1/10W	2125	± 5%	CJ		2	1.25	0.45	118
1/8W	3216	± 5%	CJ		3.2	1.6	0.55	128

TRANSISTOR ILLUSTRATION



E C B

CC5551
KTA1266
KTC3198



B C E

2SB1370
FN1016
FP1016



E C B

DTC114ES
2SC4115
KTC3199
KTA1267



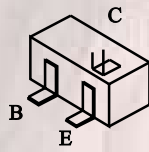
E C B

CSD1489



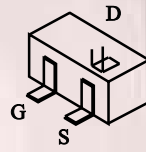
G D S

2SK3053



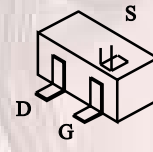
B C E

2SA1037
2SA1235
2SC3052
2SC2714
2SD1306
CMBT5401
CMBT5551



G D S

2SK2158

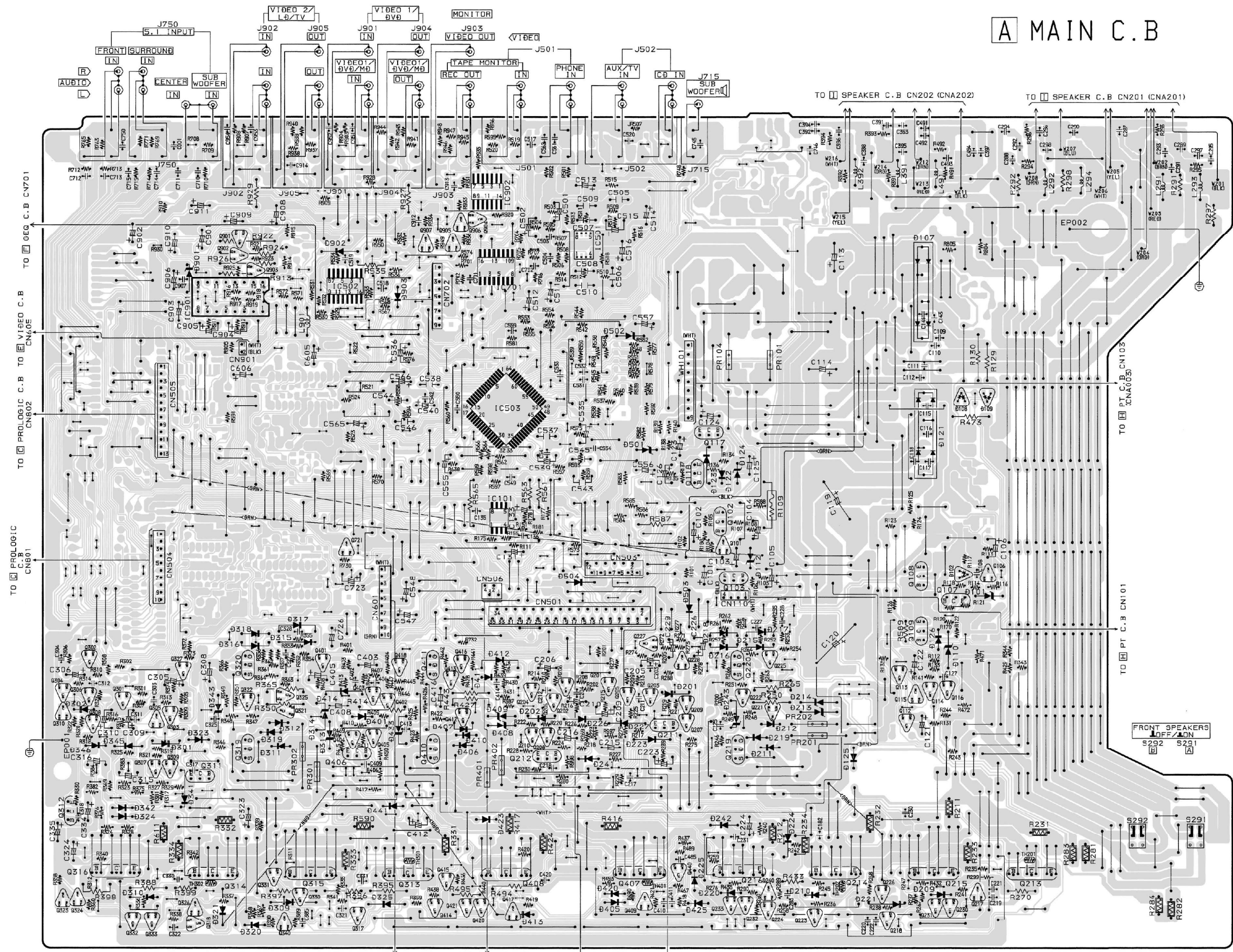


D G S

2SK360E

CSD1306
DTA144WK
DTC124EK
RT1N144C
RT1P141C
RT1P144C
DTC144EK

A MAIN C.B



TO PROLOGIC C.B CN802
 TO VIDEO C.B CN605
 TO GEO C.B CN701

TO PROLOGIC C.B CN801

TO GEO C.B CN702 TO TUNER C.B CN602 (FFC602)
 TO FRONT C.B CN802 (FFC802) TO TUNER C.B CN601 (FFC601)

TO SPEAKER C.B CN202 (CNA202) TO SPEAKER C.B CN201 (CNA201)

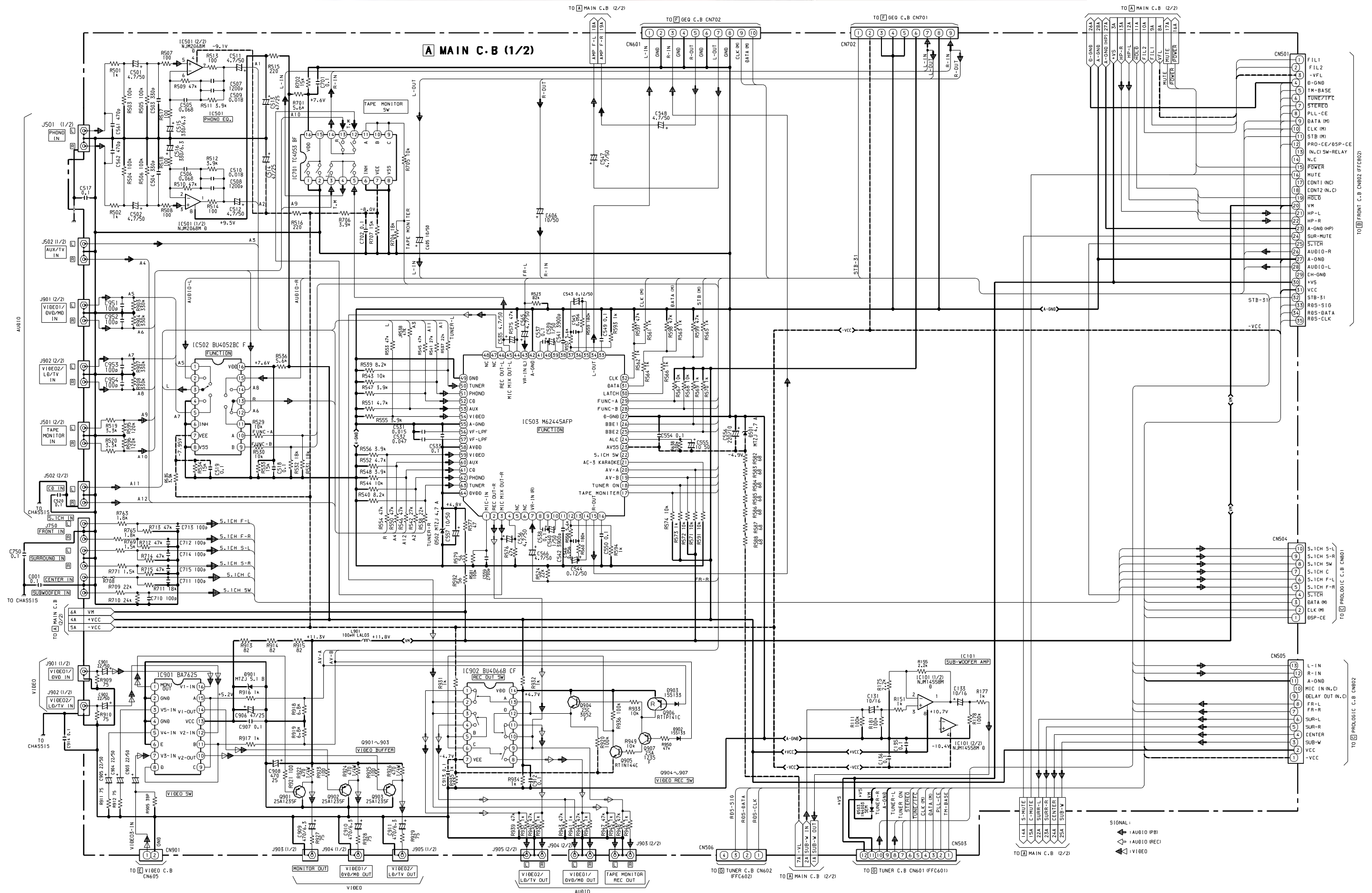
TO PT C.B CN103 (CNA003)

TO PT C.B CN101

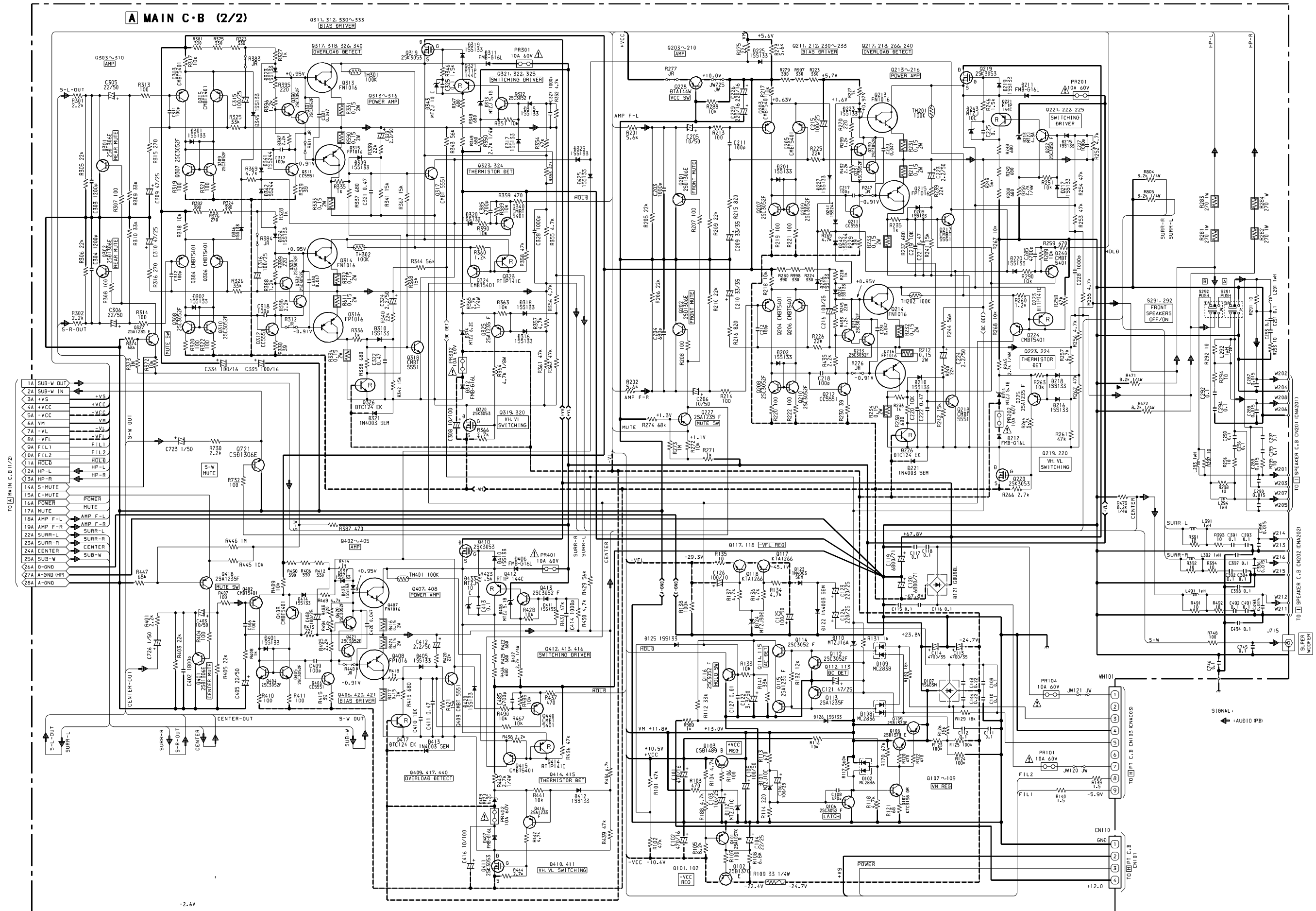
FRONT SPEAKERS OFF/ON
 S292 S291

A
B
C
D
E
F
G
H
I
J
K
L
M
N
O
P
Q
R
S
T
U

SCHEMATIC DIAGRAM - 1 (MAIN 1/2)



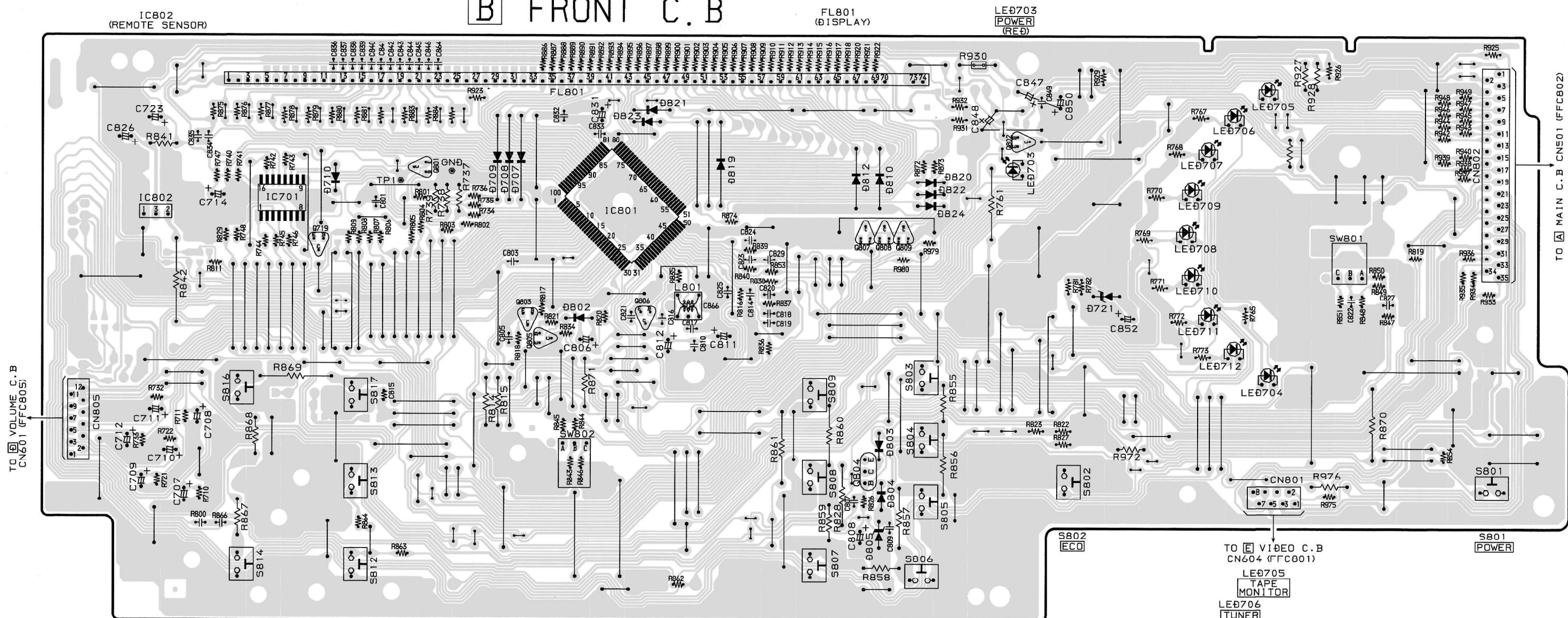
SCHEMATIC DIAGRAM - 2 (MAIN 2/2)



32 31 30 29 28 27 26 25 24 23 22 21 20 19 18 17 16 15 14 13 12 11 10 9 8 7 6 5 4 3 2 1

A
B
C
D
E
F
G
H
I
J
K
L
M
N
O
P
Q
R
S
T
U

B FRONT C.B



TO VOLUME C.B.
CN601 (FFC805)

TO MAIN C.B. CN801 (FFC802)

TO VIDEO C.B.
CN604 (FFC801)

- S816 T_BASS
- S814 VIDEO/5.1CH/BAND
- S817 ENTER
- S813 UP
- S812 TUNING
- S812 DOWN

- SW802 MULTI JOG

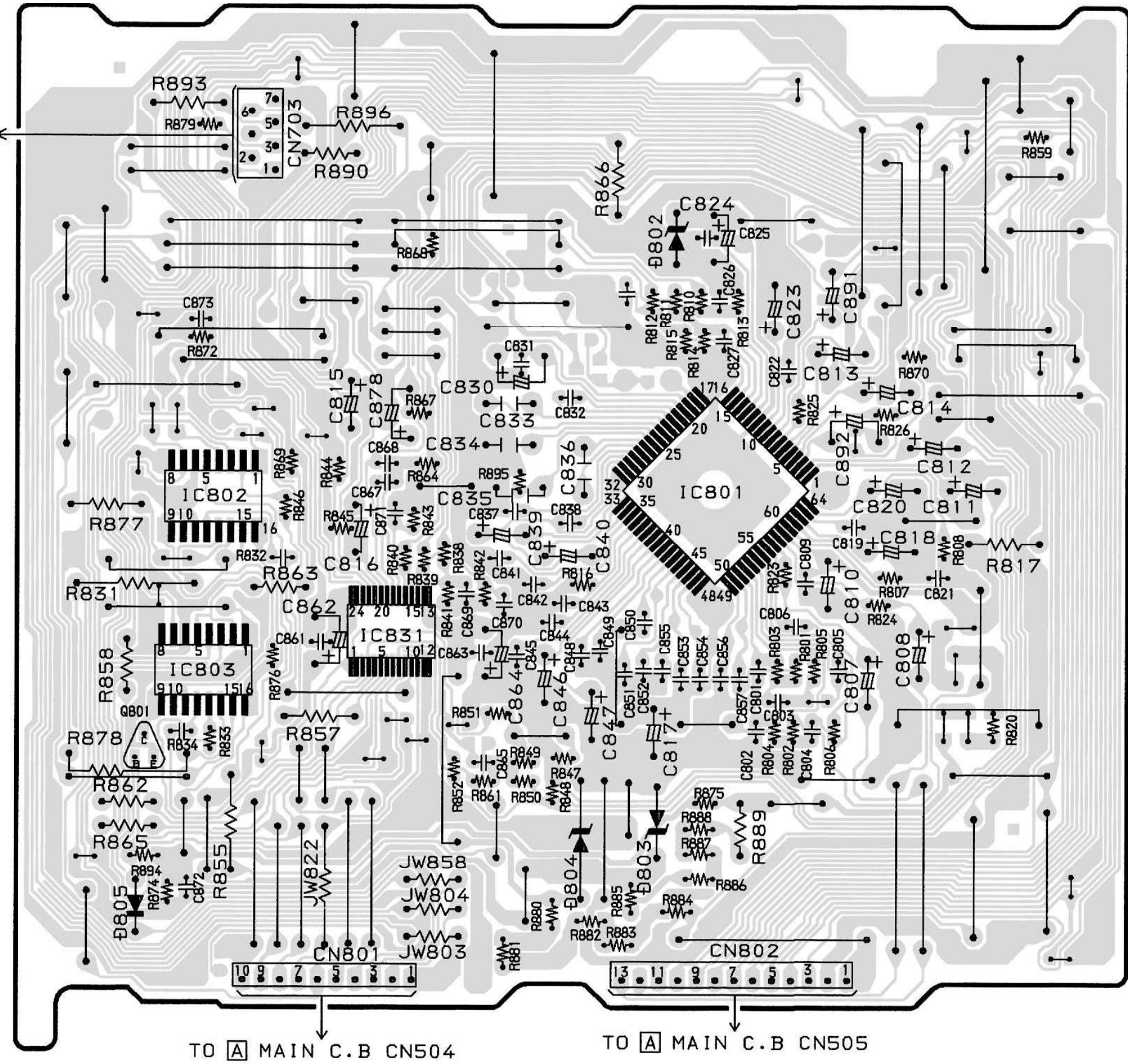
- S809 DOLBY SURROUND
- S808 DSP
- S807 GEG

- S803 RT
- S804 PTY
- S805 AC
- S806 TAPE MONITOR

- LE8705 TAPE MONITOR
- LE8706 TUNER
- LE8707 PHONO
- LE8709 CD
- LE8708 AUX
- LE8710 VIDEO 1 BVD/M8
- LE8711 VIDEO 2 LB/TV
- LE8712 VIDEO 3
- LE8704 5.1 CH INPUT
- LE8704-712 FUNCTION INDICATOR
- SW801 FUNCTION

C PROLOGIC C.B

TO [E] VOLUME C.B CN603 (FFC603)



TO [A] MAIN C.B CN504

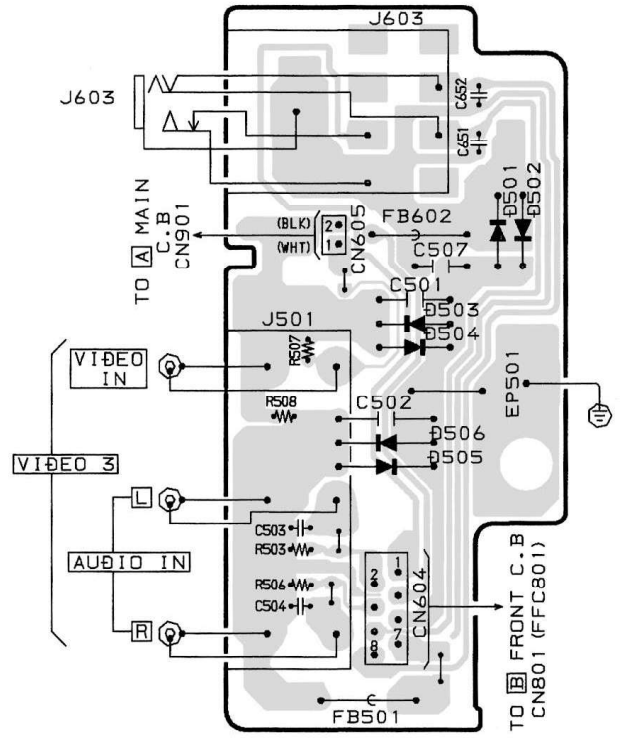
TO [A] MAIN C.B CN505

A
B
C
D
E
F
G
H
I
J
K
L
M
N
O
P
Q
R
S
T
U

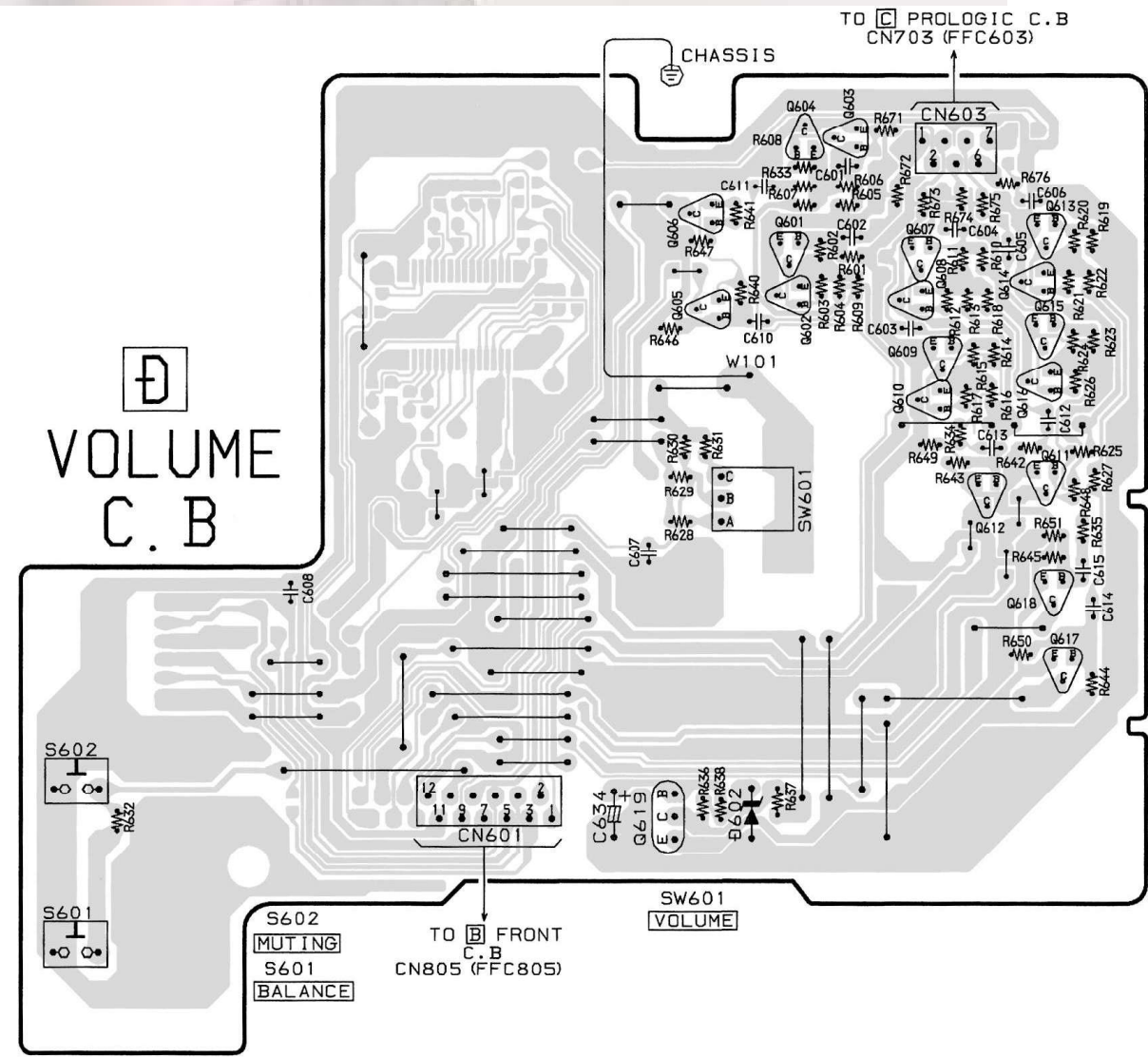
32	31	30	29	28	27	26	25	24	23	22	21	20	19	18	17	16	15	14	13	12	11	10	9	8	7	6	5	4	3	2	1
----	----	----	----	----	----	----	----	----	----	----	----	----	----	----	----	----	----	----	----	----	----	----	---	---	---	---	---	---	---	---	---

A
B
C
D
E
F
G
H
I
J
K
L
M
N
O
P
Q
R
S
T
U

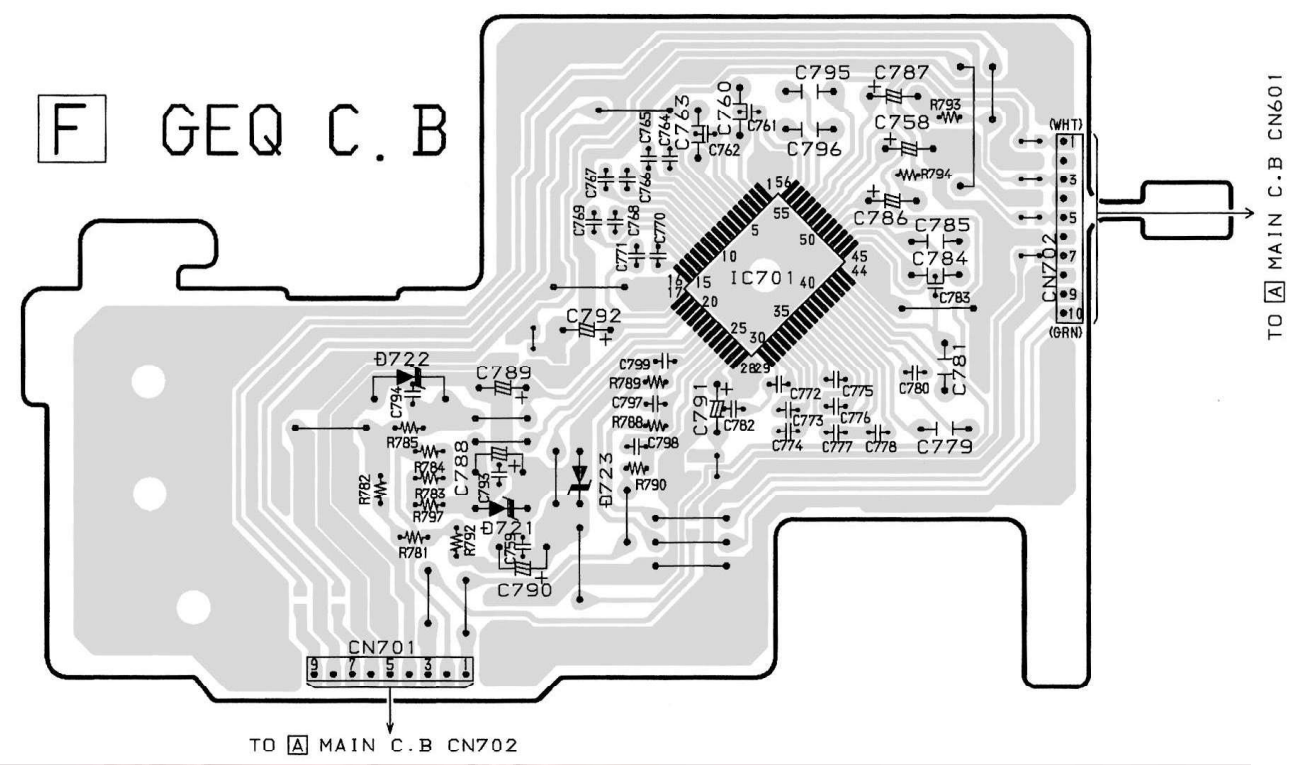
E VIDEO C.B



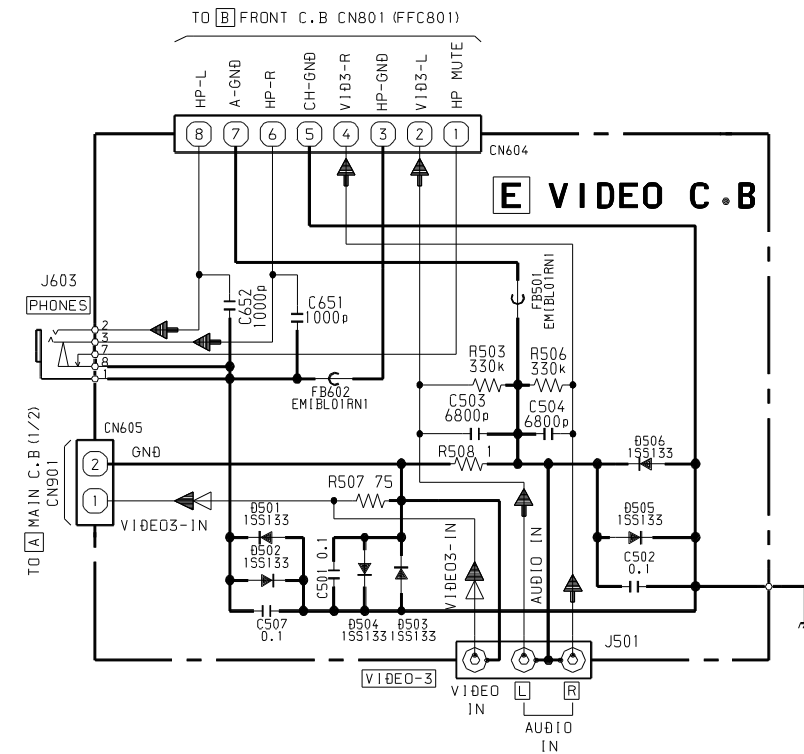
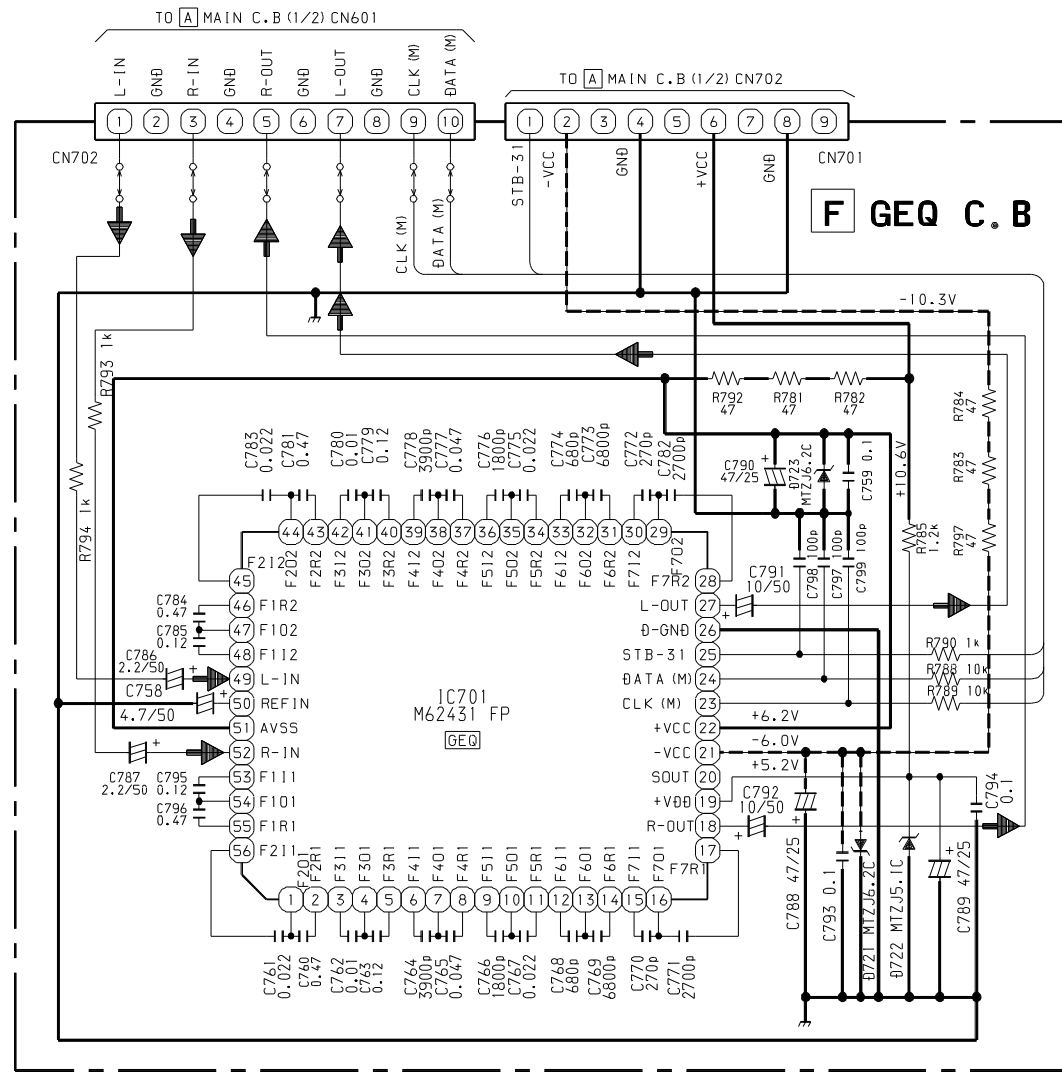
D VOLUME C.B



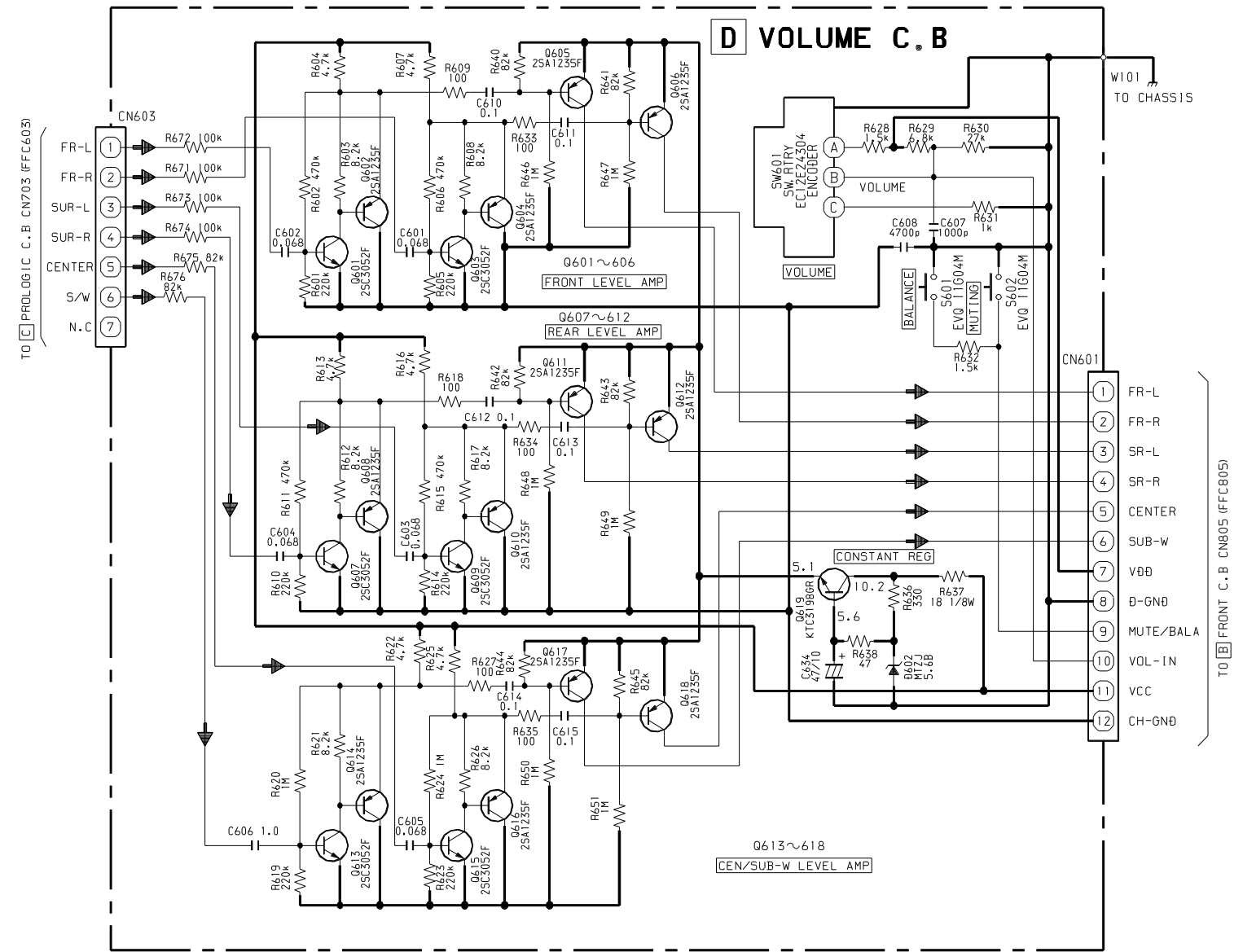
F GEQ C.B



SCHEMATIC DIAGRAM – 5 (VOLUME / VIDEO / GEQ)

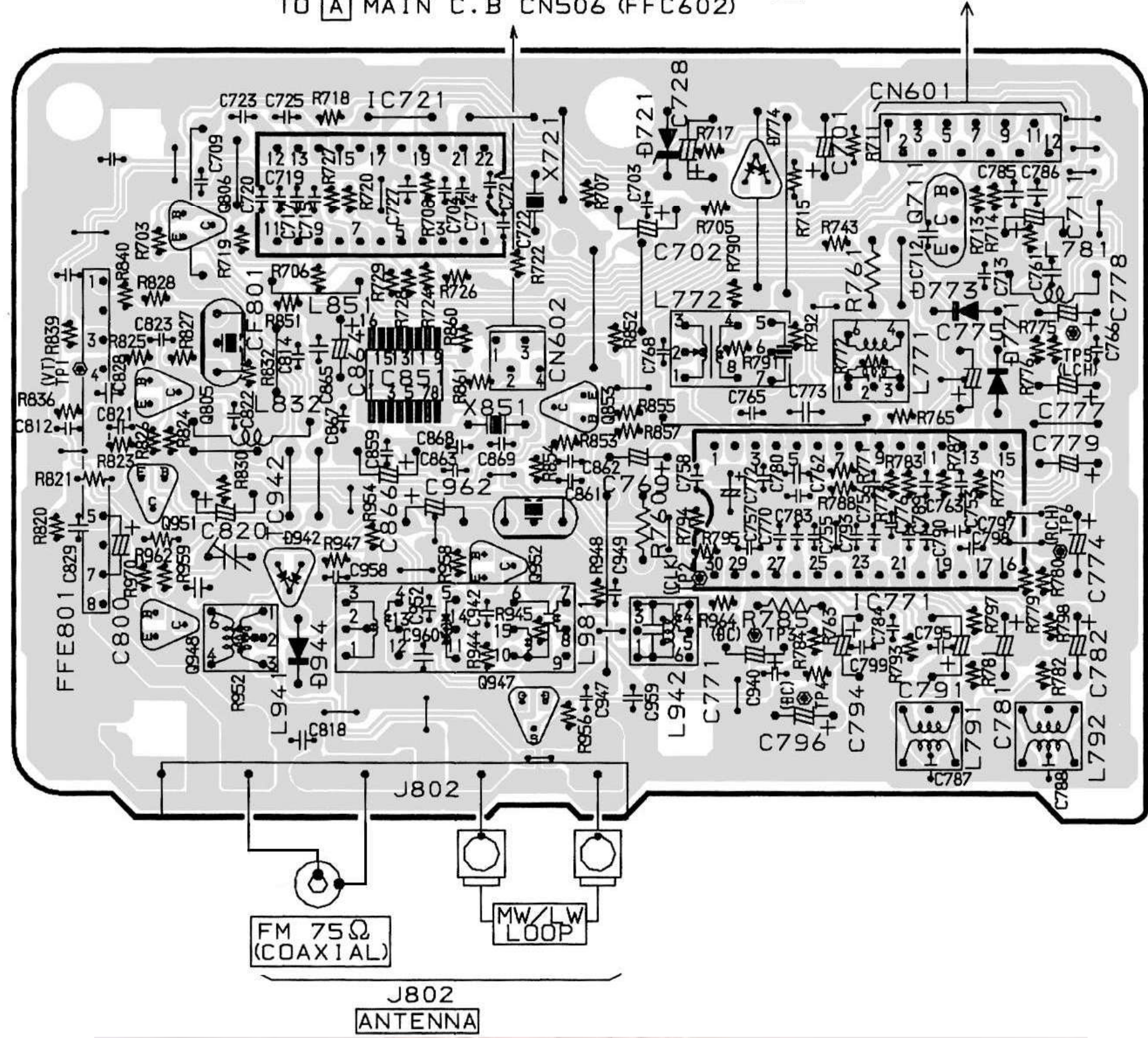


SIGNAL:
 ▲ : AUDIO
 ▲ : VIDEO



G TUNER C.B

TO [A] MAIN C.B CN506 (FFC602) TO [A] MAIN C.B CN503 (FFC601)



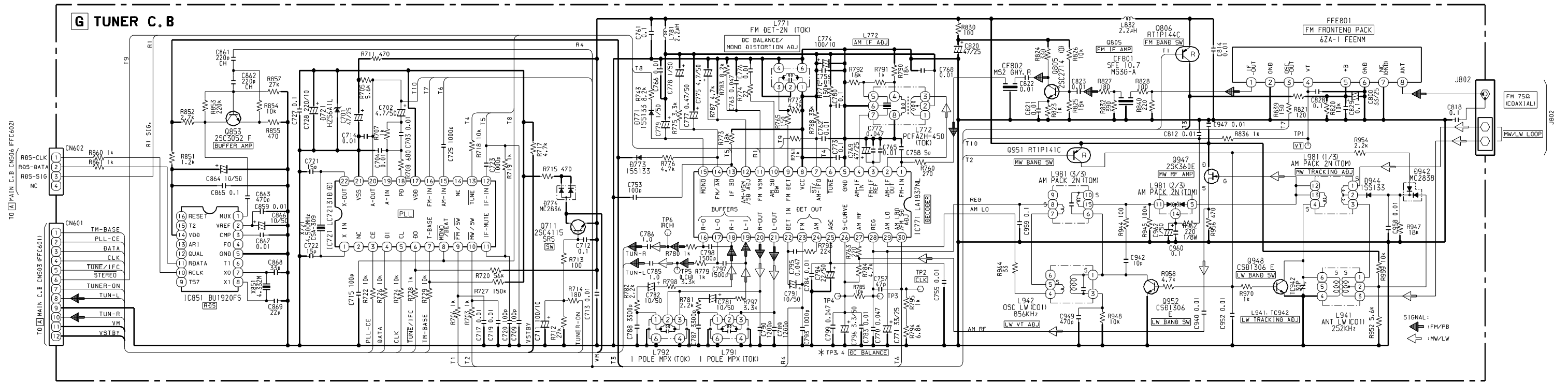
FM 75Ω
(COAXIAL)

MW/LW
LOOP

J802
ANTENNA

A
B
C
D
E
F
G
H
I
J
K
L
M
N
O
P
Q
R
S
T
U

SCHEMATIC DIAGRAM - 6 (TUNER)

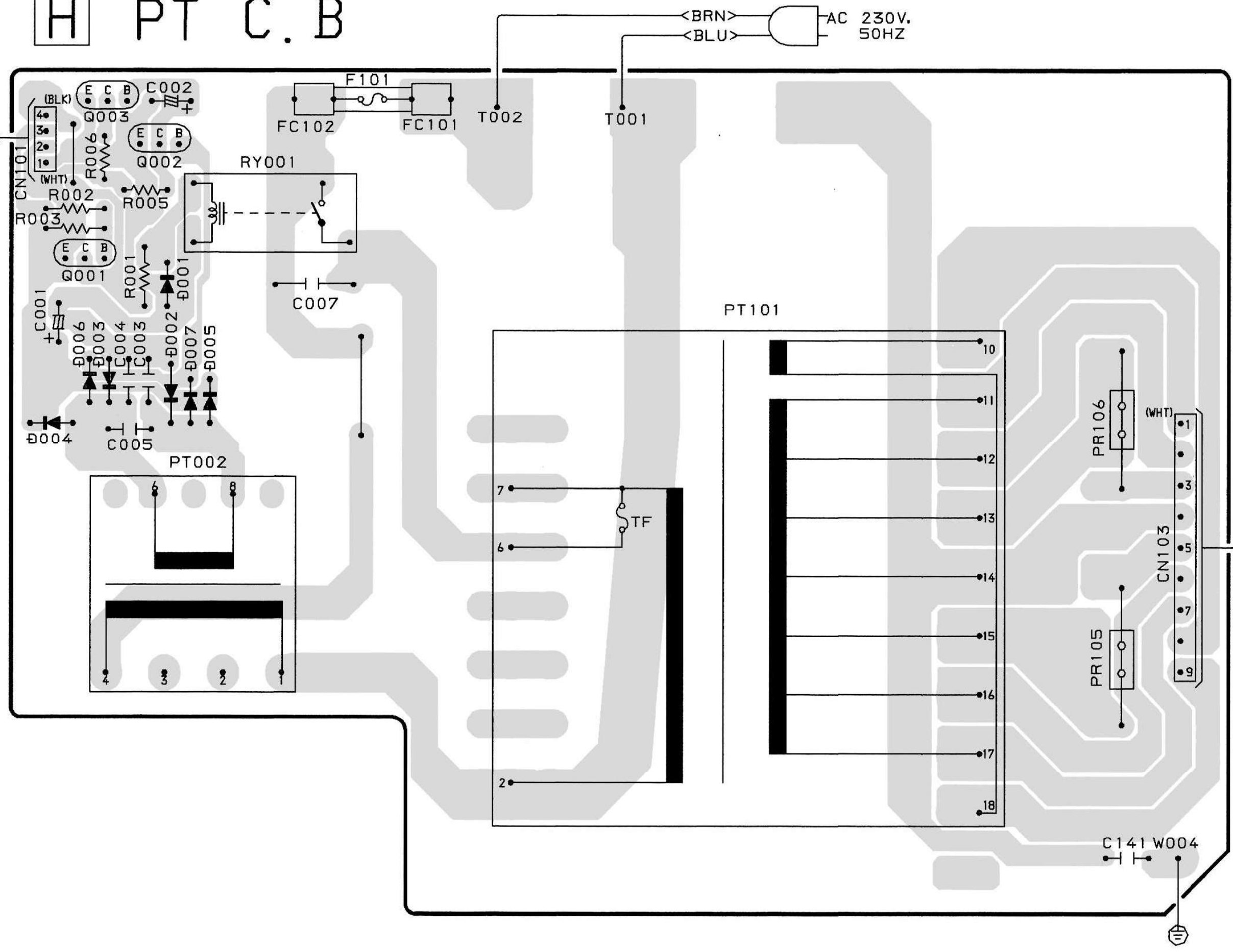


32 31 30 29 28 27 26 25 24 23 22 21 20 19 18 17 16 15 14 13 12 11 10 9 8 7 6 5 4 3 2 1

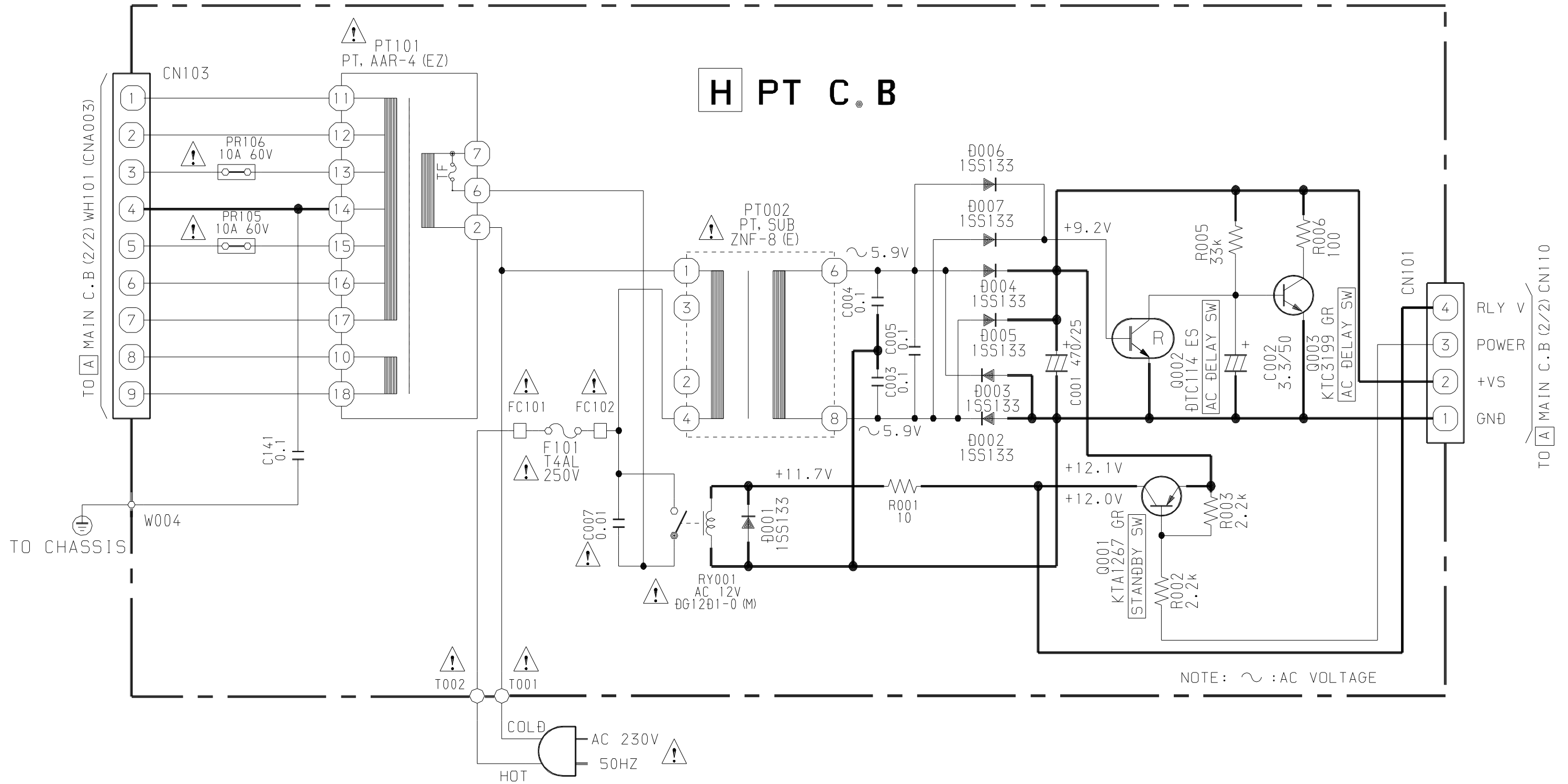
A B C D E F G H I J K L M N O P Q R S T U

H PT C.B

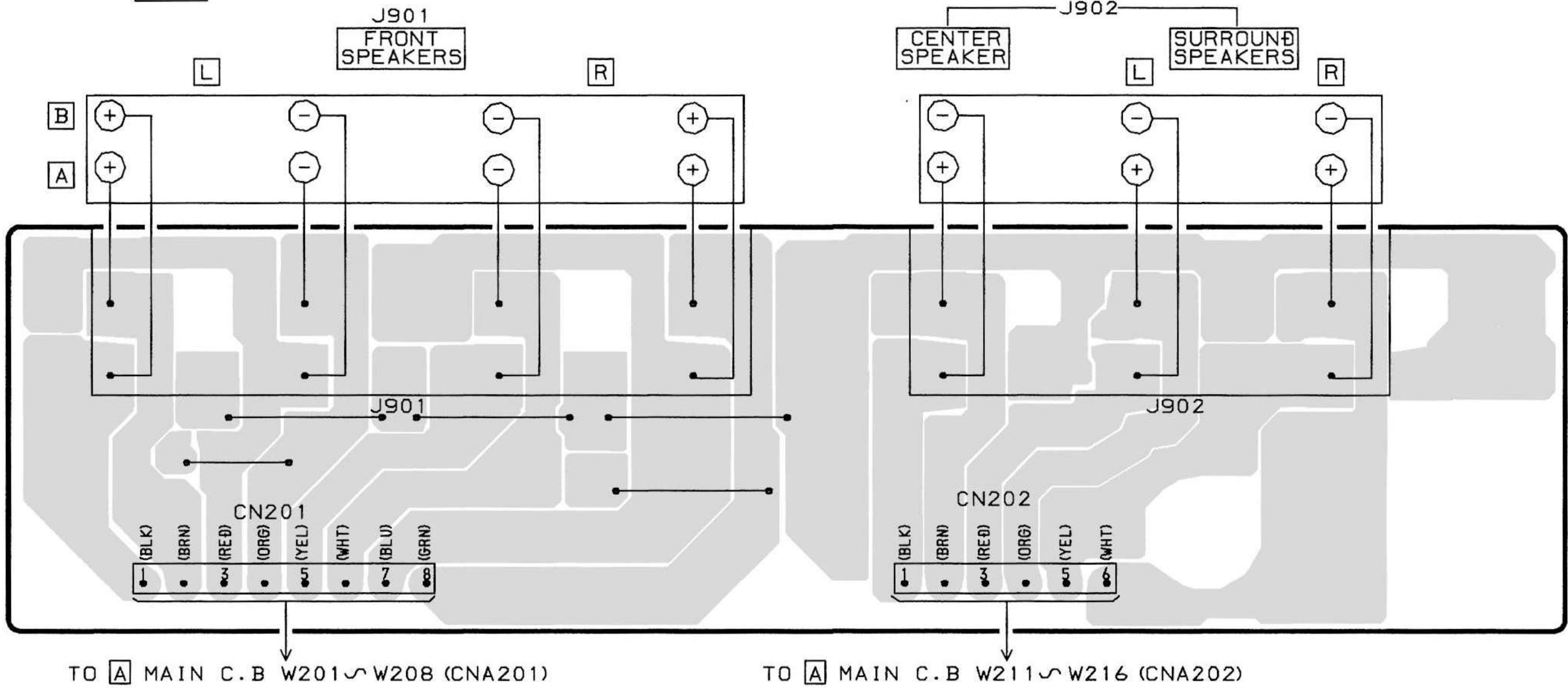
TO MAIN C.B CN110

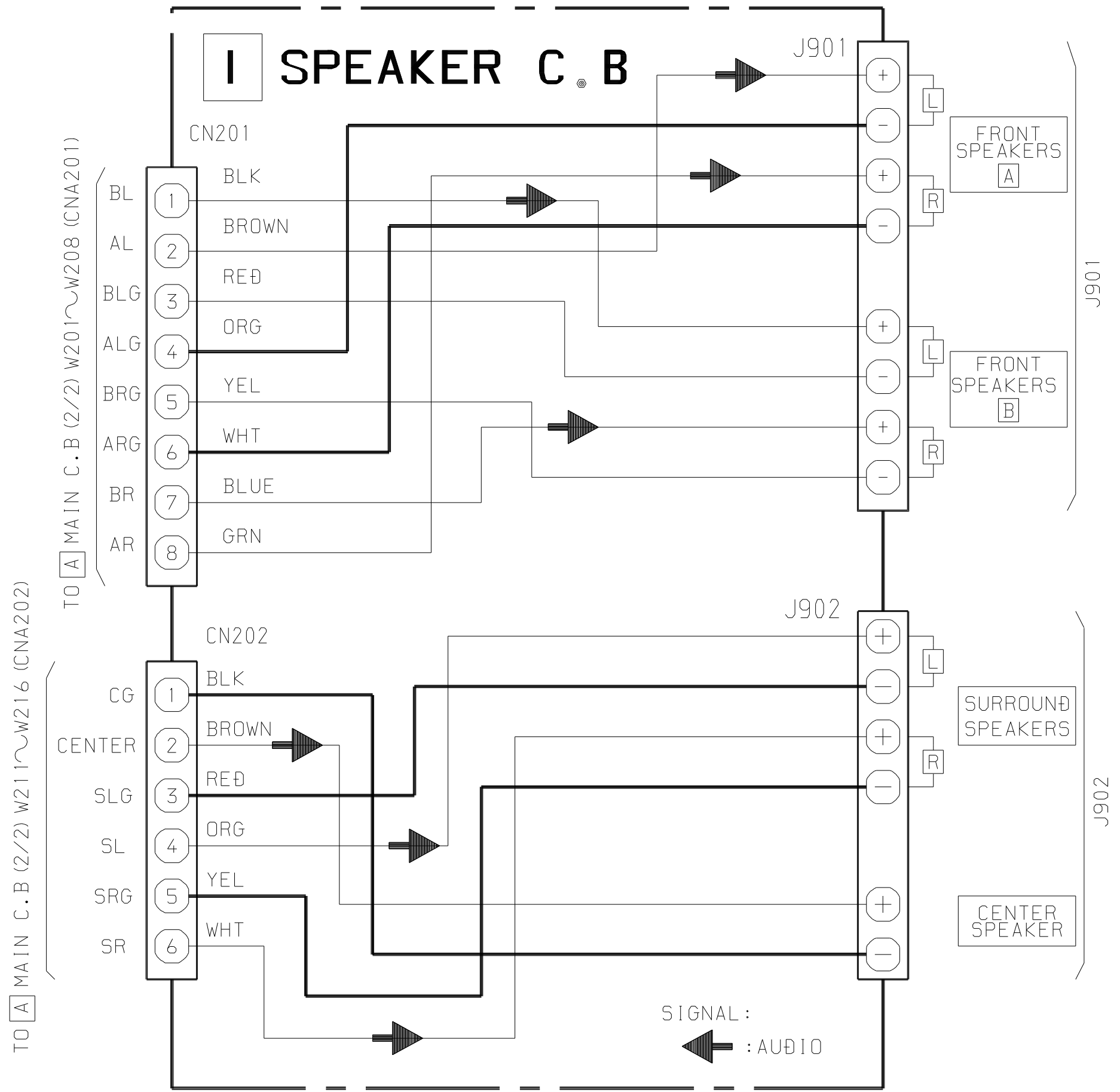


TO MAIN C.B WH101 (CNA003)



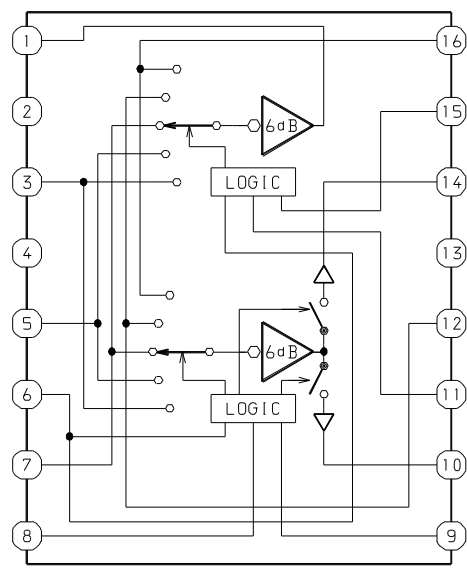
I SPEAKER C.B



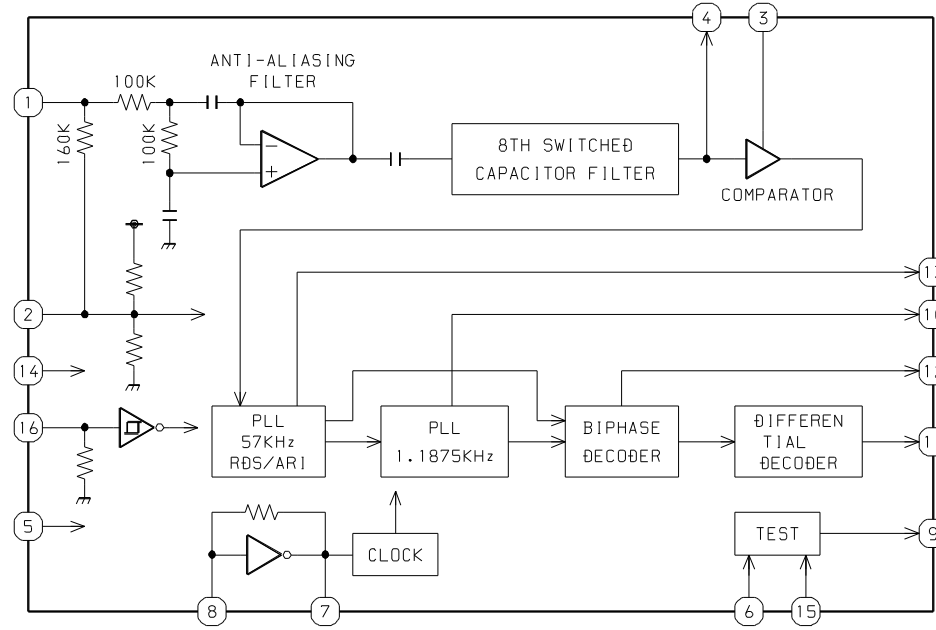


IC BLOCK DIAGRAM

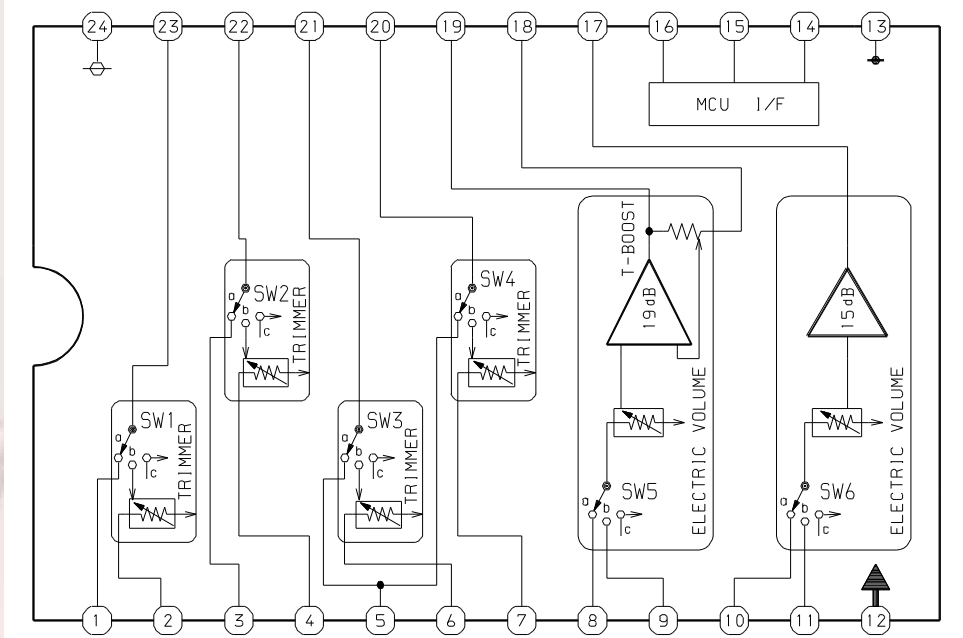
IC. BA7625



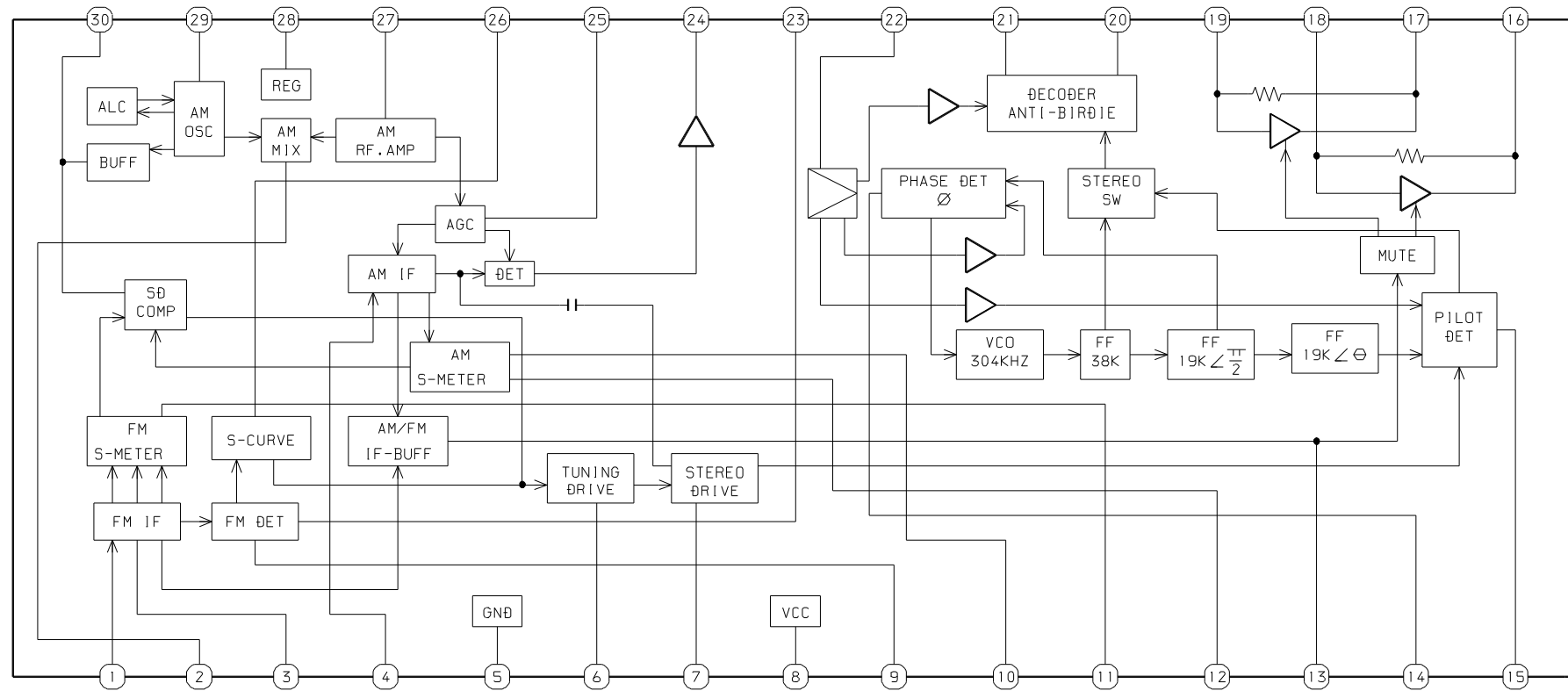
IC. BU1920FS



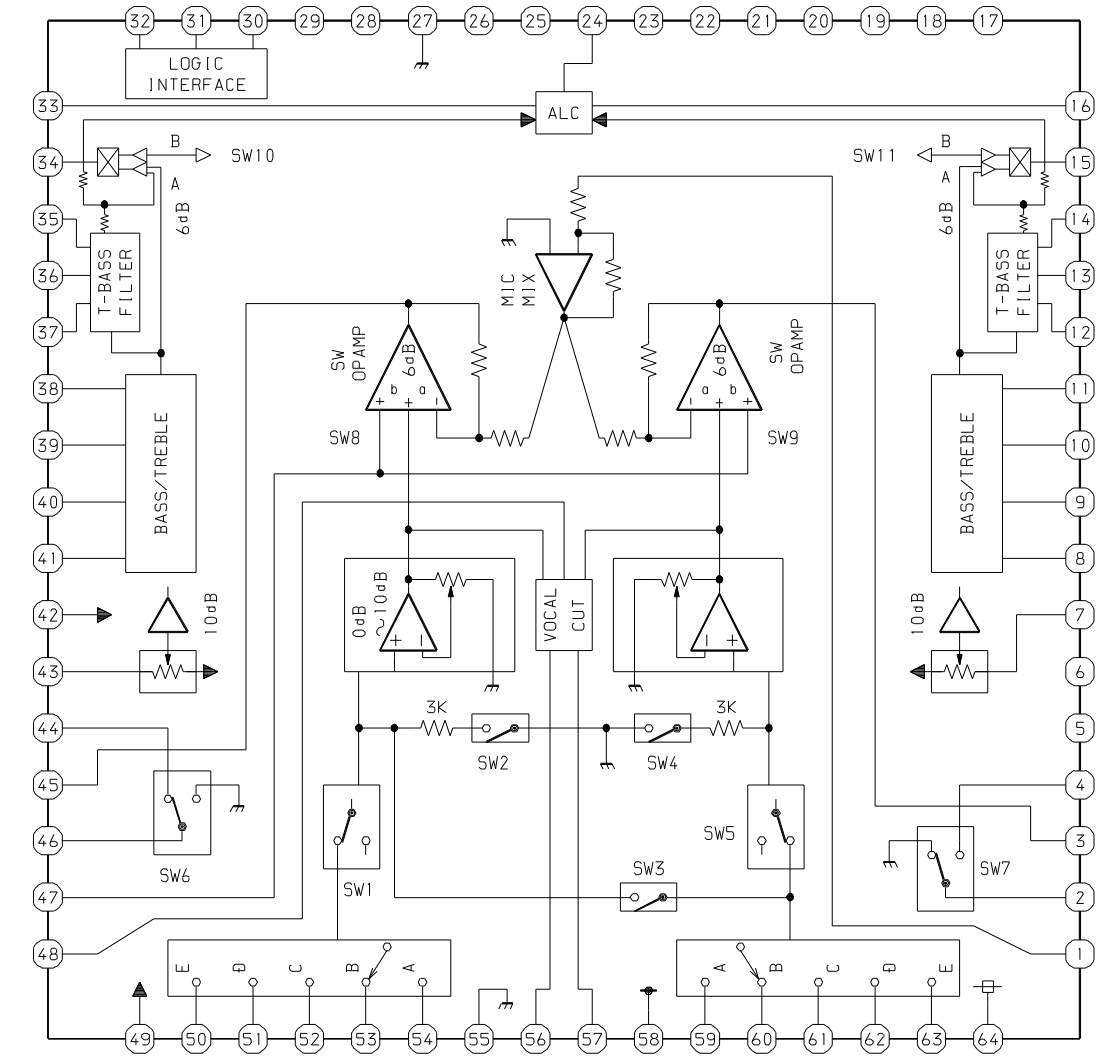
IC. M62491FP



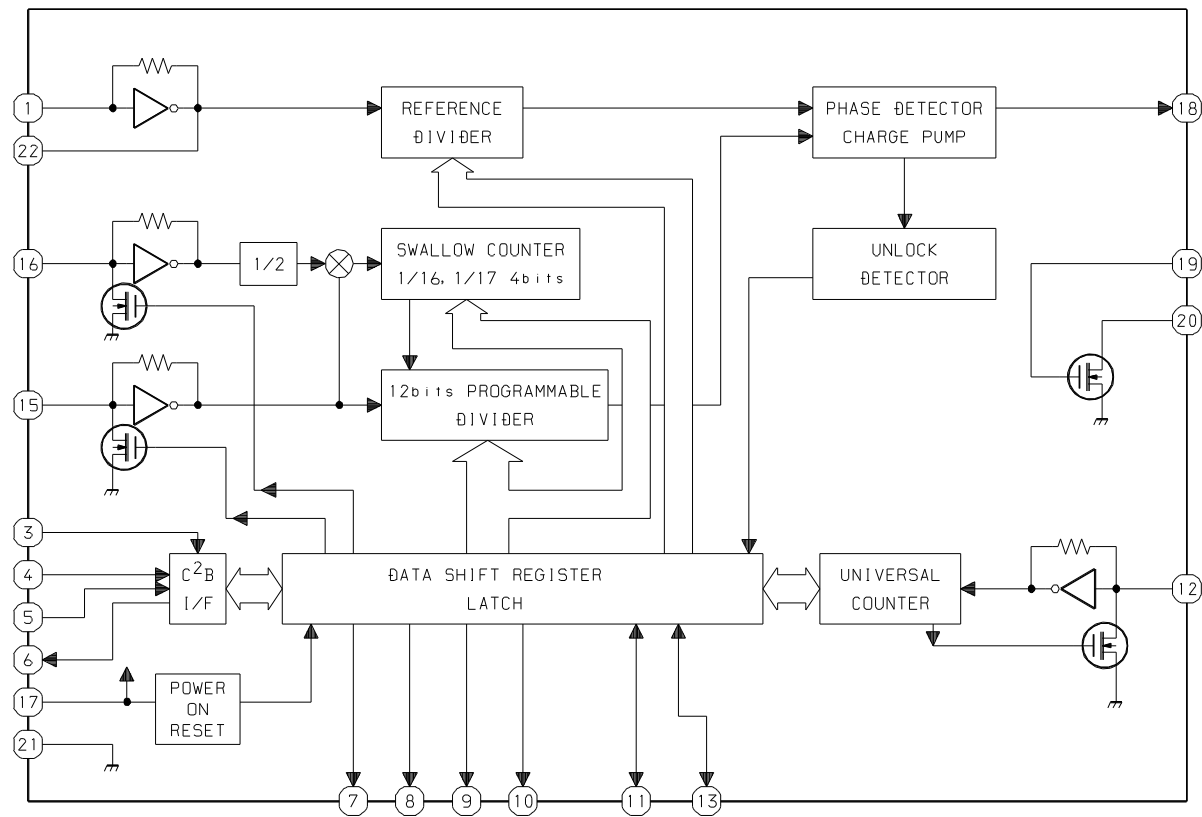
IC. LA1837NL



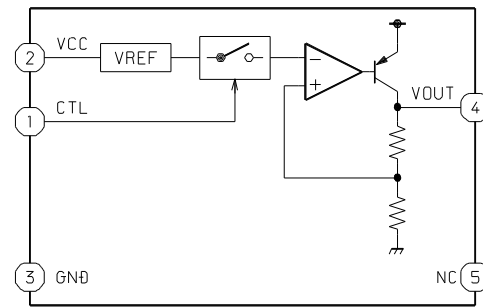
IC. M62445AFP



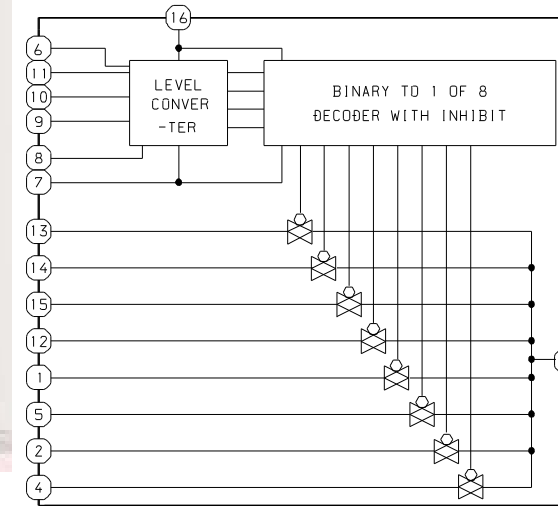
IC, LC72131D



IC, BA033ST



IC, HD74HC4051FP

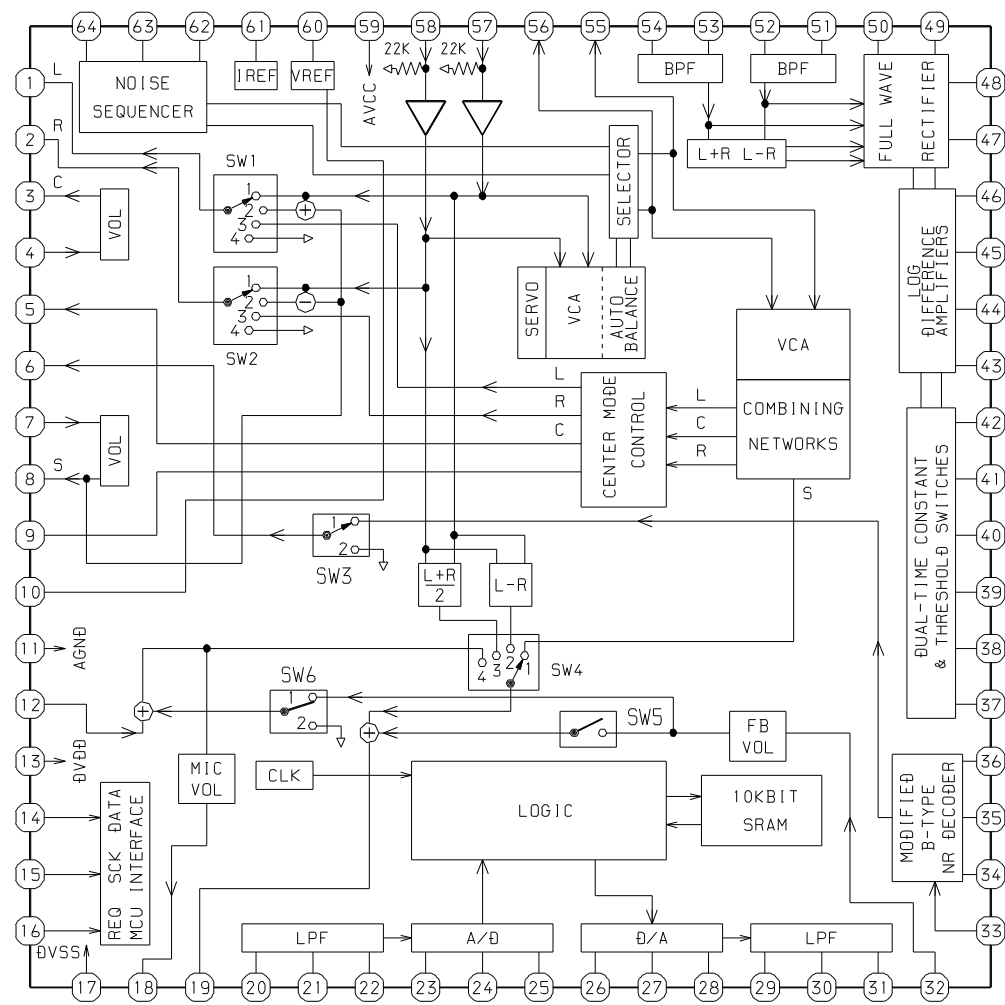


FUNCTION TABLE

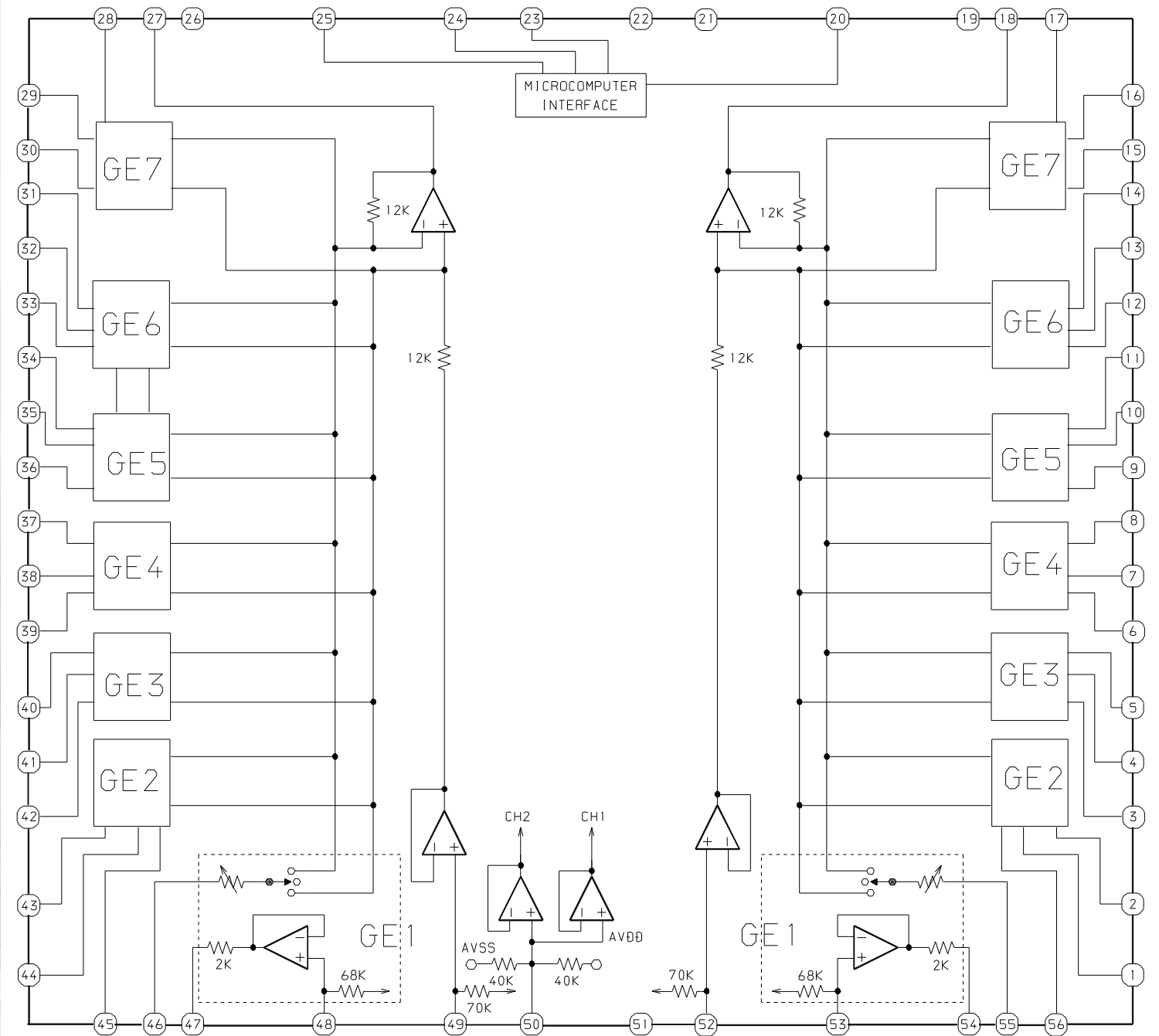
INHIBIT	CONTROL INPUTS			ON SWITCH
	C	B	A	
L	L	L	L	X0
L	L	L	H	X1
L	L	H	L	X2
L	L	H	H	X3
L	H	L	L	X4
L	H	L	H	X5
L	H	H	L	X6
L	H	H	H	X7
H	X	X	X	—

H:HIGH VOLTAGE LEVEL
L:LOW VOLTAGE LEVEL
X:IMMATERIAL

IC, M62463AFP

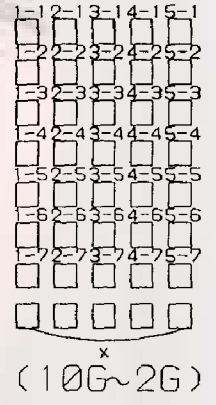
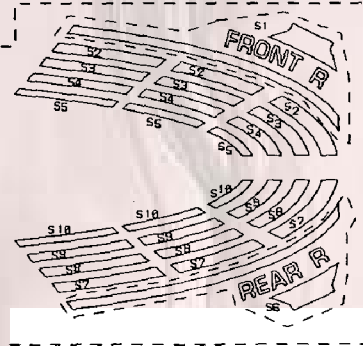
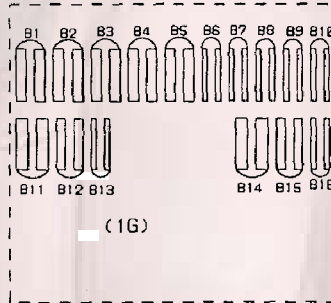
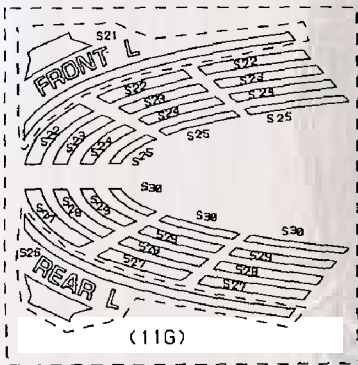
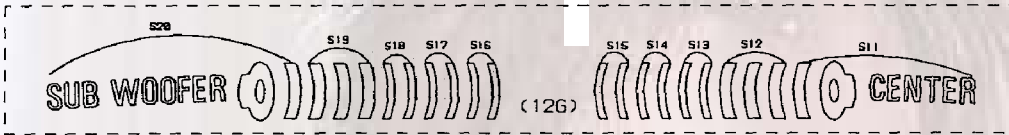
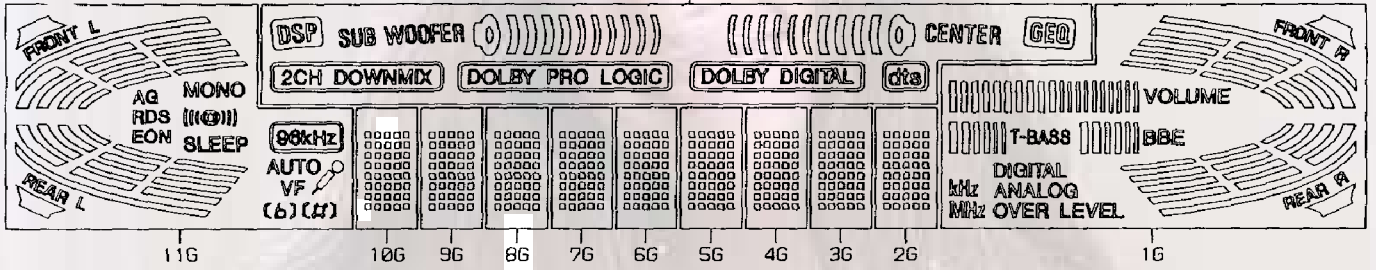


IC, M62431FP



FL (BJ759GK) GRID ASSIGNMENT AND ANODE CONNECTION
 GRID ASSIGNMENT

12G



ANODE CONNECTION

	12G	11G	10G~2G	1G
P1		-	1-1	-
P2		-	2-1	B1
P3		-	3-1	B2
P4	S11	-	4-1	B3
P5	S12	-	5-1	B4
P6	S13	-	1-2	B5
P7	S14	-	2-2	B6
P8	S15	-	3-2	B7
P9		-	4-2	B8
P10		-	5-2	B9
P11	S16	-	1-3	B10
P12	S17	-	2-3	VOLUME
P13	S18	-	3-3	B11
P14	S19	-	4-3	B12
P15	S20	-	5-3	B13
P16		MONO	1-4	T-BASS
P17	-	AG	2-4	B14
P18	-		3-4	B15
P19	-	RDS	4-4	B16
P20	-	SLEEP	5-4	BBE
P21	-	EON	1-5	DIGITAL
P22	-		2-5	ANALOG
P23	-	AUTO	3-5	OVER LEVEL
P24	-		4-5	kHz
P25	-		5-5	MHz
P26	-		1-6	-
P27	-	S25	2-6	S5
P28	-	S24	3-6	S4
P29	-	S23	4-6	S3
P30	-	S22	5-6	S2
P31	-	S21	1-7	S1
P32	-	S30	2-7	S10
P33	-	S29	3-7	S9
P34	-	S28	4-7	S8
P35	-	S27	5-7	S7
P36	-	S26	X	S6

IC DESCRIPTION

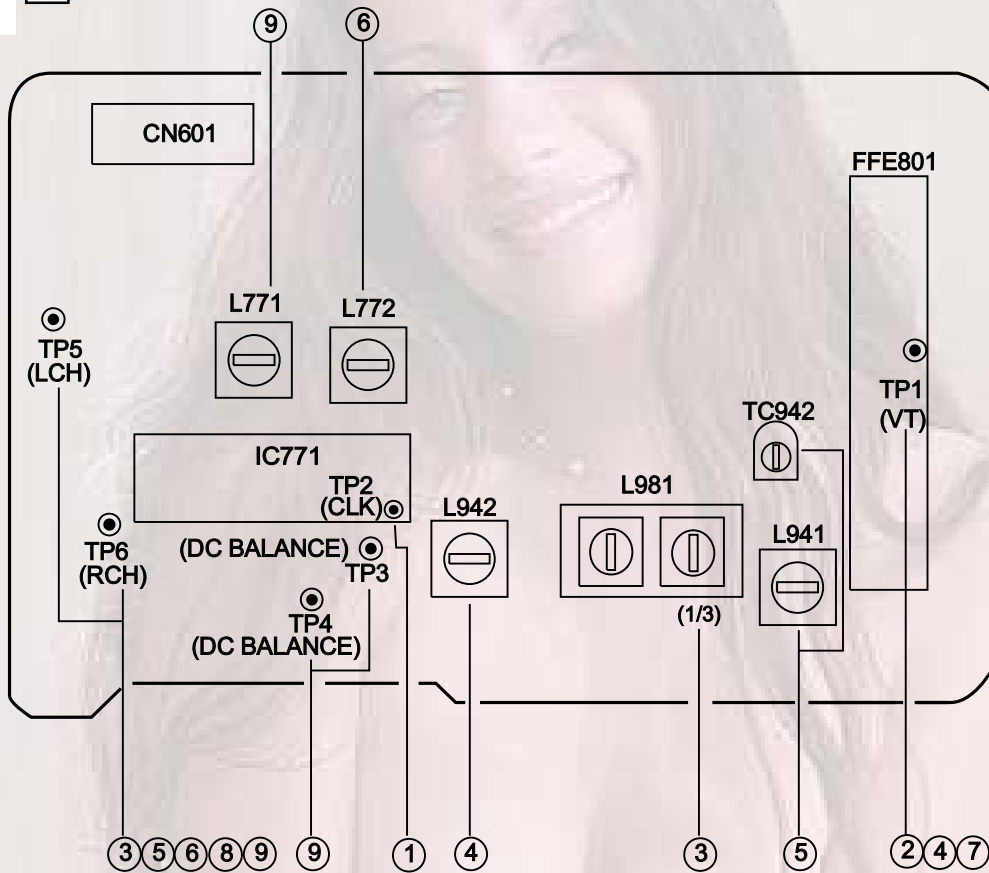
IC, UPD780228GF-070

Pin No.	Pin Name	I/O	Description
1	$\overline{\text{O-K-SCAN}}$	O	Switch scan timing output.
2	O-PLL-CE	O	PLL IC chip enable output.
3	O-DATA(M)	O	Data output for sound.
4	$\overline{\text{I-TUNE/IFC}}$	I	TUNE-IF count serial data input.
5	O-STB(M)	O	Latch strobe output for sound CTRL.
6	O-MUTE	O	System mute ON/OFF output.
7	O-CLK(M)	O	Clock output.
8	O-SUR-MUTE	O	SURROUND amp mute ON/OFF output.
9	$\overline{\text{O-POWER}}$	O	System power supply ON/OFF output.
10	O-PRO-CE	O	DOLBY PROLOGIC IC chip enable output.
11	O-STB-31	O	GEQ IC chip enable output.
12	I-TM-BASE	I	Reference clock input for timer watch.
13	NC	-	Not used.
14	$\overline{\text{TAPE-MON}}$	O	Function LED of tape monitor ON/OFF output.
15	$\overline{\text{PWR-LED}}$	O	Power LED ON/OFF output.
16	$\overline{\text{5.1CH}}$	O	5.1CH LED ON/OFF output.
17	IC	-	Connected to GND.
18	VSS	-	GND.
19	VDD	-	Power supply input.
20	NC	-	Not connected.
21	$\overline{\text{TUNER}}$	O	Function LED of TUNER ON/OFF output.
22	$\overline{\text{PHONO}}$	O	Function LED of PHONO ON/OFF output.
23	$\overline{\text{AUX}}$	O	Function LED of AUX ON/OFF output.
24	$\overline{\text{CD}}$	O	Function LED of CD ON/OFF output.
25	$\overline{\text{VIDEO 1}}$	O	Function LED of VIDEO 1 ON/OFF output.
26	$\overline{\text{VIDEO 2}}$	O	Function LED of VIDEO 2 ON/OFF output.
27	$\overline{\text{VIDEO 3}}$	O	Function LED of VIDEO 3 ON/OFF output.
28	I-RDS-CLK	I	RDS clock input.
29	I-RDS-DATA	I	RDS serial data input.
30	$\overline{\text{RESET}}$	I	Reset input.
31	O-CONT1	O	Master VOL CTRL output for surround left & right.
32	O-CONT2	O	Master VOL CTRL output for center & sub woofer.
33	NC	-	Not connected.
34	$\overline{\text{I-RMC}}$	I	System remote control signal input.
35	NC	-	Not connected.
36	C-SHIFT	O	Micon clock shift output.
37	VDD1	-	Power supply input.
38, 39	X2, X1	-	4.19 MHz oscillator circuit.
40	VSS1	-	GND.
41	AVDD	-	Power supply input.
42	$\overline{\text{HOLD}}$	I	Power failure detected input "L" to stop and hold memory.
43	I-RE-VOL	I	Rotary encoder signal input (Main vol L & R).

Pin No.	Pin Name	I/O	Description
44	I-RDS-SIG	I	RDS signal level input.
45	I-JOG2	I	Rotary encoder signal input (Multi jog).
46	I-FU-JOG1	I	Rotary encoder signaal input (Func jog).
47	I-KEY2	I	Key input (A/D).
48	I-KEY1	I	Key input (A/D).
49	I-MULTI-LEVEL	I	Multi Level meter input.
50	AVSS	-	GND.
51~58	P36~P29	O	FL segement P36~P29 output.
59	P28/ $\overline{\text{GEQ}}$	O/I	FL segement P28 output / $\overline{\text{GEQ}}$ data input to diode (Not used).
60	P27/ $\overline{\text{LW}}$	O/I	FL segement P27 output / $\overline{\text{LW}}$ mode data input to diode.
61	P26/ $\overline{\text{DIGITAL-IN2}}$	O/I	FL segement P26 output / Digital input data input to diode (VIDEO1, VIDEO2 only) (Not used).
62	P25/ $\overline{\text{RDS}}$	O/I	FL segement P25 output / $\overline{\text{RDS}}$ data input to diode.
63	P24/ $\overline{\text{BBE}}$	O/I	FL segement P24 output / $\overline{\text{BBE}}$ data input to diode (Not used).
64	P23/ $\overline{\text{AMST/WIDE}}$	O/I	FL segement P23 output / $\overline{\text{AM stereo, wide band}}$ data input to diode (Not used).
65	P22/ $\overline{\text{AM10K}}$	O/I	FL segement P22 output / $\overline{\text{AM10kHz step}}$ data input to diode (Not used).
66	P21/ $\overline{\text{KARAOKE}}$	O/I	FL segement P21 output / $\overline{\text{KEY CON}}$ data input to diode (Not used).
67	P20/ $\overline{\text{OSD}}$	O/I	FL segement P20 output / $\overline{\text{OSD}}$ data input to diode (Not used).
68	P19/ $\overline{\text{AC-3}}$	O/I	FL segement P19 output / $\overline{\text{DOLBY DIGITAL}}$ data input to diode (Not used).
69	P18/ $\overline{\text{DIGITAL-IN1}}$	O/I	FL segement P18 output / Digital input data input to diode (VIDEO1, VIDEO2, VIDEO3, CD) (Not used).
70	P17/ $\overline{96\text{kHz}}$	O/I	FL segement P17 output / $\overline{96\text{kHz}}$ data input to diode (Not used).
71	P16/ $\overline{\text{DTS}}$	O/I	FL segement P16 output / $\overline{\text{DTS}}$ data input to diode (Not used).
72	P15/ $\overline{\text{DSP}}$	O/I	FL segement P15 output / $\overline{\text{DSP}}$ data input to diode (Not used).
73	P14	O	FL segement P14 output.
74	P13/ $\overline{\text{STEREO}}$	O/I	FL segement P13 output / $\overline{\text{Tuner stereo detected}}$ input.
75	P12/ $\overline{\text{HP-MUTE}}$	O/I	FL segement P12 output / $\overline{\text{Headphone mute detected}}$.
76	P11/ $\overline{\text{I-MIC}}$	O/I	FL segement P11 output / $\overline{\text{Mic}}$ input detected input.
77,78	P10,P9	O	FL segement P10, P9 output.
79	VDD2	-	Power supply input.
80	-VFL	-	Power supply input for FL display.
81	P8	O	FL segement P8 output.
82	P7	O	FL segement P7 output.
83	P6	O	FL segement P6 output.
84	P5	O	FL segement P5 output.
85~88	P4~P1	O	FL segement P4 ~ P1 output.
89~100	G12~G1	O	FL grid output G12 ~ G1.

ADJUSTMENT <TUNER / FRONT>

G TUNER C.B

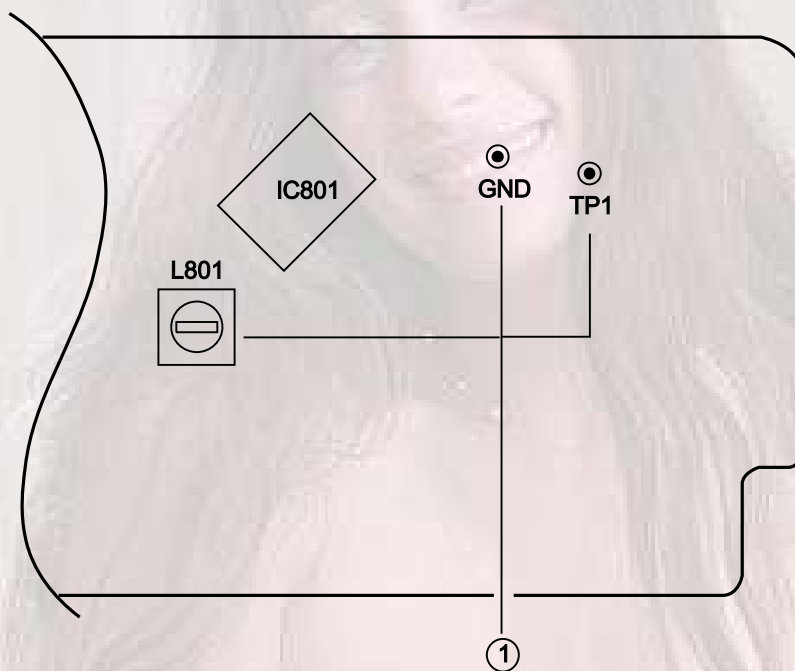


< TUNER SECTION >

1. Clock Frequency Check
 - Settings : • Test point : TP2 (CLK)
 - Method : Set to MW 1602kHz and check that the test point is 2052kHz \pm 45Hz.
 - Method : Set up TC942 to center before adjustment. The level at 144kHz is adjusted to MAX by L941. Then the level at 290kHz is adjusted to MAX by TC942.
2. MW VT Check
 - Settings : • Test point : TP1 (VT)
 - Method : Set to MW 1602kHz and check that the test point is less than 8.0V. Then set to MW 531kHz and check that the test point is more than 0.6V.
3. MW Tracking Adjustment
 - Settings : • Test point : TP5 (Lch), TP6 (Rch)
 - Adjustment location : L981 (1/3)
 - Method : Set to MW 999kHz and adjust L981 (1/3) so that the test point becomes maximum.
4. LW VT Adjustment
 - Settings : • Test point : TP1 (VT)
 - Adjustment location : L942
 - Method : Set to LW 144kHz and adjust L942 so that the test point becomes 1.3V \pm 0.05V. Then set to LW 290kHz and check that the test point is less than 8.0V.
5. LW Tracking Adjustment
 - Settings : • Test point : TP5 (Lch), TP6 (Rch)
 - Adjustment location : L941 144kHz
 - TC942 290kHz
6. AM IF Adjustment
 - Settings : • Test point : TP5 (Lch), TP6 (Rch)
 - Adjustment location : L772 450kHz
7. FM VT Check
 - Settings : • Test point : TP1 (VT)
 - Method : Set to FM 108.0MHz and check that the test point is less than 8.0V. Then set to FM 87.5MHz and check that the test point is more than 0.5V.
8. FM Tracking Check
 - Settings : • Test point : TP5 (Lch), TP6 (Rch)
 - Method : Set to FM 98.0MHz and check that the test point is less than 13dB μ V.
9. DC Balance / Mono Distortion Adjustment
 - Settings : • Test point : TP3, TP4 (DC balance)
 - TP5(Lch), TP6(Rch) (Distortion)
 - Adjustment location : L771
 - Input level : 60dB μ V
 - Method : Set to FM 98.0MHz and adjust L771 so that the voltage between TP3 and TP4 is 0V \pm 300mV. Next, check the distortion is less than 1.3 %.

< FRONT SECTION >

B FRONT C.B



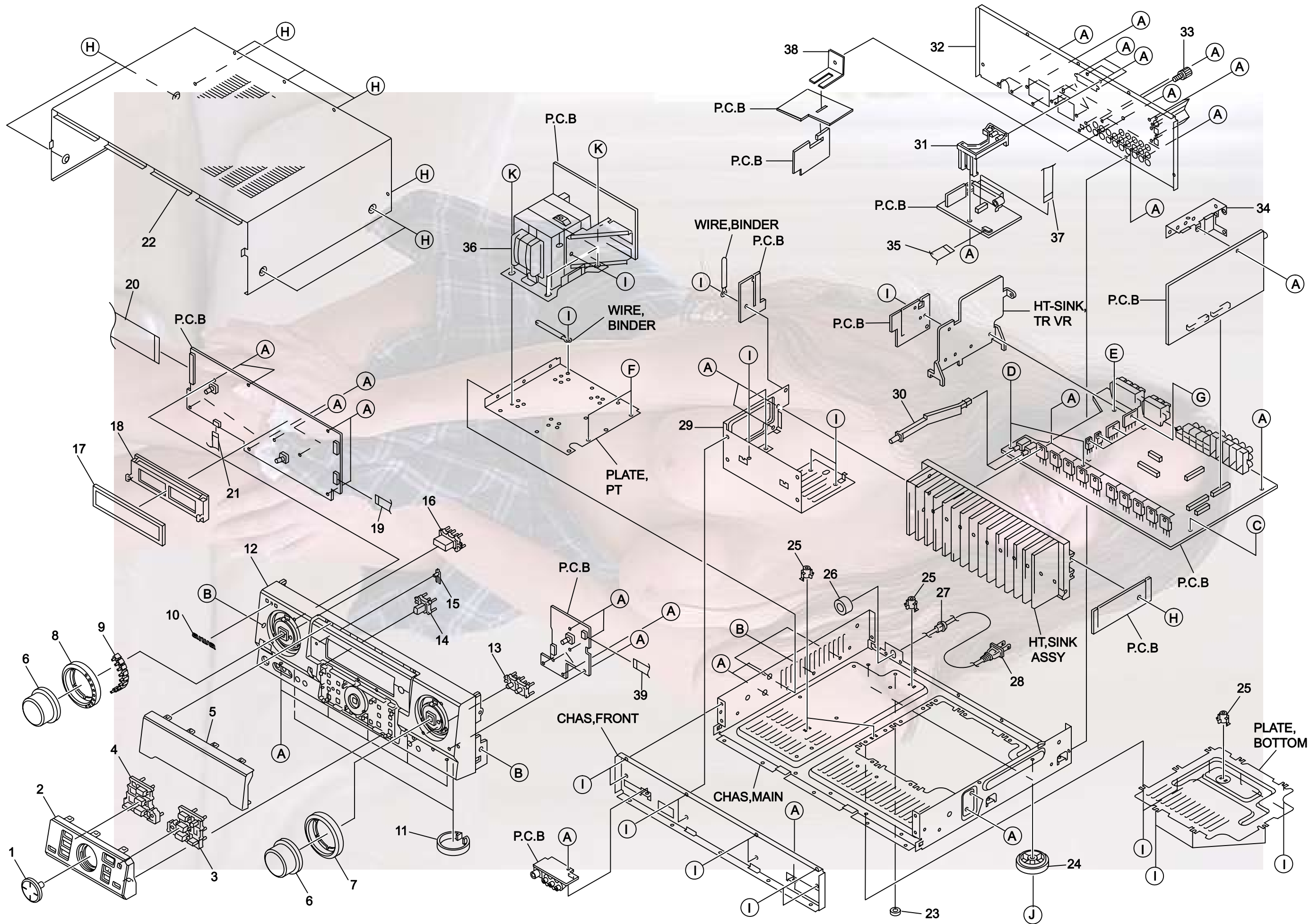
1. μ -CON OSC Adjustment

Settings : • Test point : TP1 and GND

• Adjustment location : L801

Method : Insert AC plug while pressing TUNER function key.

Adjust L801 so that the frequency at the test point is $78.67\text{Hz} \pm 0.08\text{Hz}$.



MECHANICAL PARTS LIST 1 / 1

REF. NO.	PART NO.	KANRI NO.	DESCRIPTION	REF. NO.	PART NO.	KANRI NO.	DESCRIPTION
1	8A-AR3-006-010		KNOB, RTRY JOG	26	87-003-317-010		F-BEAD, F0H2515-LG7
2	8A-AR3-033-010		PANEL, FR EZ	27	87-085-185-010		BUSHING, AC CORD (E)
3	8A-AR3-013-010		KEY, ASSY, ENTER	28	87-A80-092-010		AC CORD ASSY, E BLK SUN FAI
4	8A-AR3-029-010		KEY, ASSY DOLBY EZ	29	8Z-AR1-205-010		HLDR, HT-SINK
5	8A-AR3-040-010		WINDOW, DISP 5.1CH EZ	30	8A-AR3-011-010		BTN, SP
6	8A-AR3-045-010		KNOB, RTRY VOL	31	88-AR1-203-010		HLDR, TU
7	8A-AR3-007-010		RING, VOL	32	8A-AR4-013-010		PANEL, REAR EZEM
8	8A-AR3-047-010		RING, FUN	33	87-033-209-010		TERMINAL, EARTH
9	8A-AR3-009-010		REFLECTOR, FUN	34	8Z-AR1-219-110		HLDR, PWB PRO
10	87-CE3-023-010		BADGE, AIWA 30N SILV	35	88-912-161-110		FF-CABLE, 12P 1.25 160MM
11	8Z-AR1-020-110		RING, FOOT SIL	36	8A-AR4-607-010		PT, AAR-4 (EZ)
12	8A-AR4-001-010		CABI, FR U	37	88-904-181-110		FF-CABLE, 4P 1.25
13	8A-AR3-024-010		KEY, BAL	38	8A-AR1-201-010		HLDR, EQ PWB
14	8A-AR3-020-010		KEY, ECO	39	88-907-301-110		FF-CABLE, 7P 1.25
15	8A-AR3-010-010		REFLECTOR, ECO	A	87-067-703-010		TAPPING SCREW, BVT2+3-10
16	8A-AR3-021-010		KEY, POWER	B	87-591-095-410		TAPPING SCREW, QIT+3-8 (GLD)
17	8A-AR1-602-010		FL, BJ759GK	C	87-067-633-010		TAPPING SCREW, BVT2+3-8
18	8A-AR3-201-010		GUIDE, FL	D	87-067-581-010		TAPPING SCREW, BVT2+3-15
19	88-912-101-110		FF-CABLE, 12P 1.25 100MM	E	87-067-632-010		TAPPING SCREW, BVT2+3-15
20	8A-AR3-644-010		FF-CABLE, 35P 1.25 430MM	F	87-067-585-010		TAPPING SCREW, BVTT+4-6
21	88-908-101-110		FF-CABLE, 8P 1.25 10MM	G	87-067-579-010		TAPPING SCREW, BVT2+3-8
22	8Z-AR1-003-210		CABI, STEEL	H	87-067-641-010		UTT2+3-8 (W/O SLOT) BL
23	8Z-NB8-240-010		COVER, PL	I	87-067-584-010		TAPPING SCREW, BVT2+3-6
24	8Z-AR1-021-110		FOOT, REAR	J	87-067-689-010		TAPPING SCREW, BVTT+3-8
25	88-AR1-218-010		HLDR, PWB H8.9	K	87-078-191-010		S-SCREW, IT+4-10

COLOR NAME TABLE

Basic color symbol	Color	Basic color symbol	Color	Basic color symbol	Color
B	Black	C	Cream	D	Orange
G	Green	H	Gray	L	Blue
LT	Transparent Blue	N	Gold	P	Pink
R	Red	S	Silver	ST	Titan Silver
T	Brown	V	Violet	W	White
WT	Transparent White	Y	Yellow	YT	Transparent Yellow
LM	Metallic Blue	LL	Light Blue	GT	Transparent Green
LD	Dark Blue	DT	Transparent Orange	GM	Metallic Green
YM	Metallic Yellow	DM	Metallic Orange		



アイワ株式会社 〒110-8710 東京都台東区池之端1-2-11 ☎03(3827)3111 (代表)
AIWA CO.,LTD. 2-11, IKENOHATA 1-CHOME, TAITO-KU, TOKYO 110, JAPAN TEL:03 (3827) 3111

9420208 0251431

Printed in Singapore